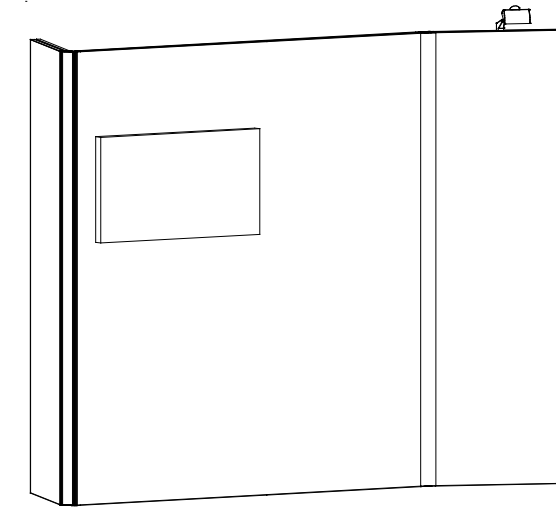
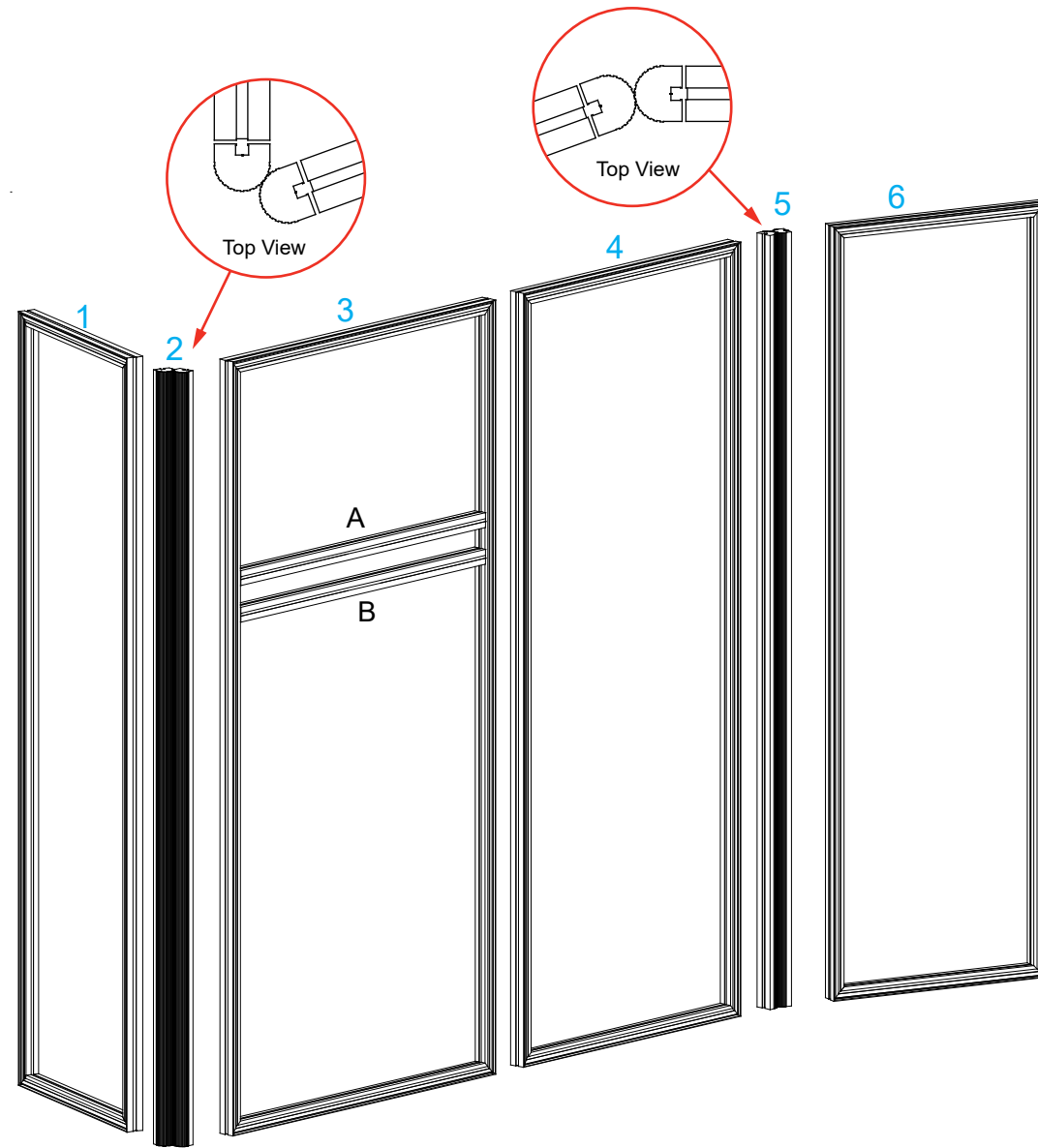


Item	Qty.	Description
1	1	28.5"w x 95"h Gravitee Panel
2	1	95"h Gravitee Hinge - 70°
3	1	46"w x 95"h Gravitee Panel
4	1	38"w x 95"h Gravitee Panel
5	1	95"h Gravitee Hinge - 160°
6	1	28.5"w x 95"h Gravitee Panel
A	1	42.9"w S44 Horizontal Extrusion
B	1	42.9"w S44 Horizontal Extrusion
--	1	1/4" spacer for Monitor Mount

Steps:

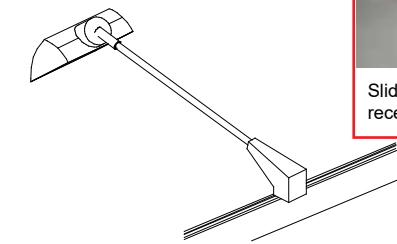
- 1) Attach horizontals [A,B] between verticals of Panel [3].
- 2) Connect Gravitee Panels & Hinges together in numerical order, as shown.
- 3) Apply front SEG graphic to assembled frame.
- 4) Install Monitor Mount to horizontals [A,B] using supplied bolts & spacer.
See **Monitor Mount Attachment** detail.
- 5) Connect light to top of panel [6].
See **Light Attachment** detail.



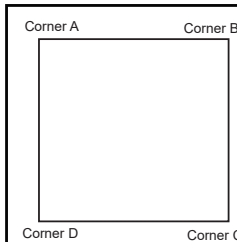
When assembled

*** Light Attachment**

Lock Clip into Groove of Horizontal Extrusion, then slide Light onto Clip.



SEG Graphic Installation



It is important to first insert graphic into each alternate corner then to the sides of the frame. If this is not done, graphic will not fit into the frame correctly.

Step 1
Insert corner A. Turn edge of graphic so silicon welt is perpendicular to face of graphic. Insert narrow side of welt with fabric to outside into the channel. Repeat for other side of this corner.

Step 2
Repeat Step 1 for opposite corner C, then insert corner B, followed by corner D, to complete the installation of the corners.

Graphic Removal



Step 3
Once all corners are inserted, press one silicon edge into channel from corners and work toward the center. Make sure welt is fully inserted into channel. Continue until all sides are done. Smooth out edges of graphic.

To remove the graphic from the frame, locate the fabric pull tab. Gently pull up on the tab to remove the fabric.

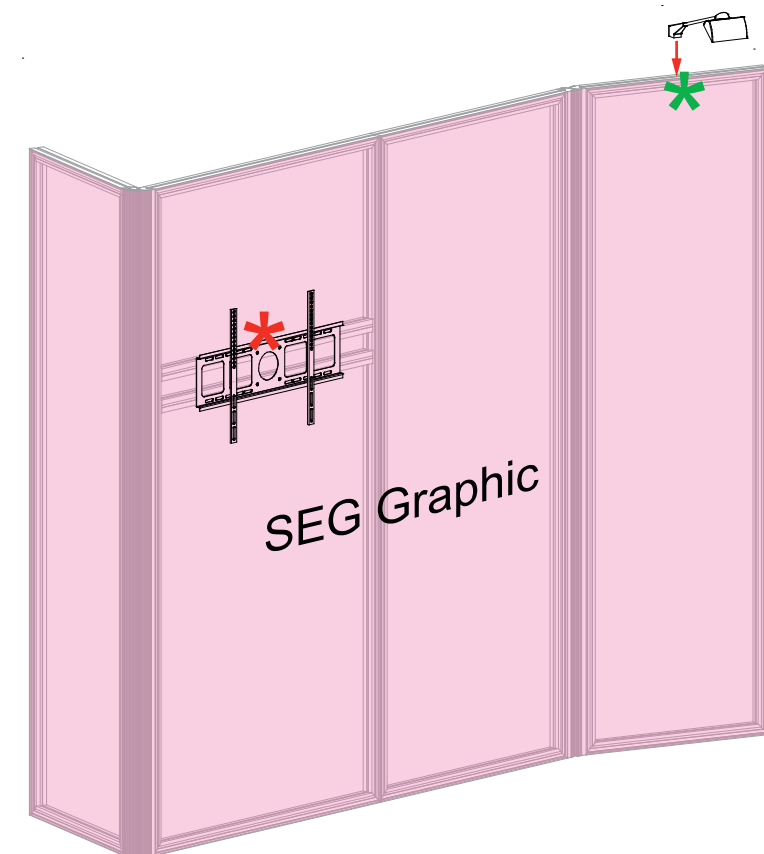
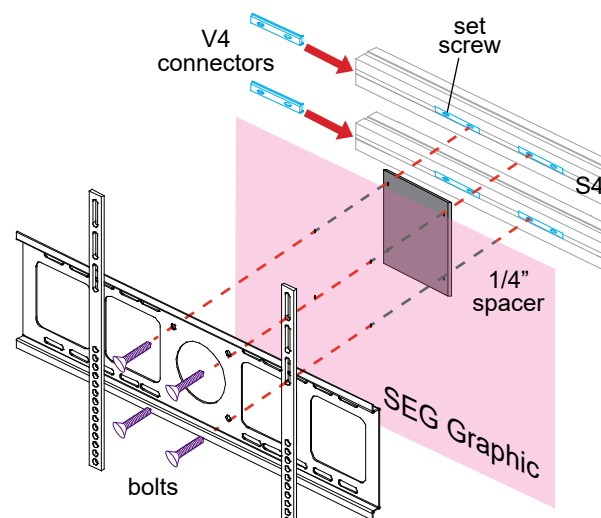
*** Monitor Mount Attachment**

Slide V4 connectors into groove of horizontal extrusions; tighten set screws to secure.

Use bolts to connect Monitor Mount to V4 connectors.

Monitor Mount installs over SEG graphic.

Note: Use supplied 1/4" spacer between SEG graphic & V4, as shown.



SETUP INSTRUCTIONS

General Setup Instructions

- Read entire setup instruction manual prior to unpacking parts and pieces.
- The setup instructions are created specifically for this configuration.
- Setup instructions are laid out sequentially in steps, including exploded views with detailed explanation for assembly.

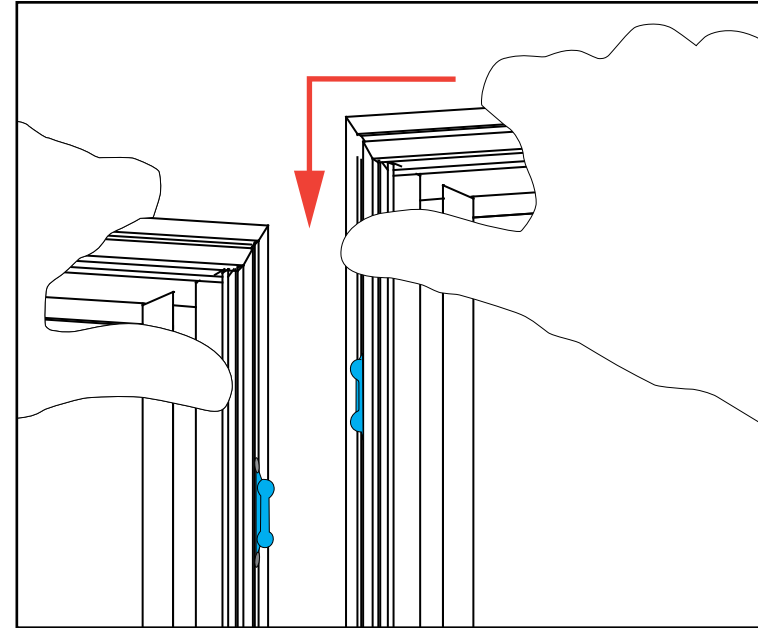
Cleaning & Packing

- For Cleaning Metal, Plex, & Laminate Parts: Use a **MILD NON-ABRASIVE** cleanser and soft cloth/paper towel to clean all surfaces.
- Keep exhibit components away from heat and prolonged sun exposure. **Heat and UV exposure will warp and fade components.**
- Retain all provided Packing Materials. All provided packing materials are for ease of repacking & component protection.

Disassembly

- For loss prevention, tighten all set screws and locks during disassembly.

Assembly

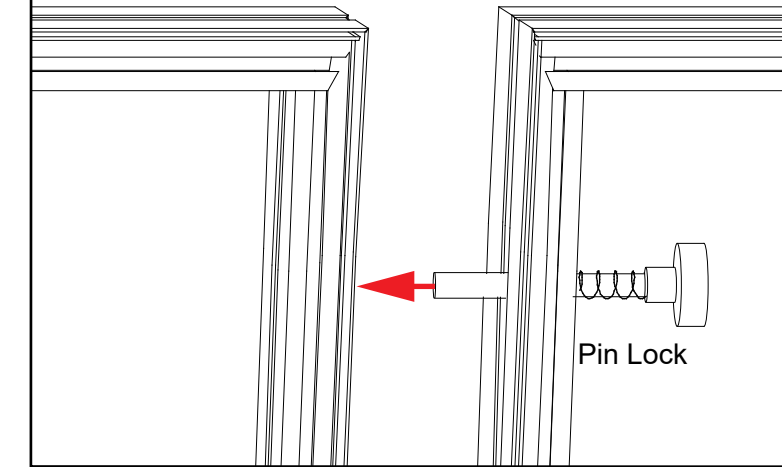


Side-by-Side Assembly

- 1) Frames: Place frames side-by-side with one higher than the other, then slide panel down to lock panels securely together.
- 2) Corner Connectors: Repeat Step 1 for installing corner connectors to frames.

Assembly Cont'd

Push pin lock into hole of connecting frame.
Note: Block on pin lock will secure in groove.



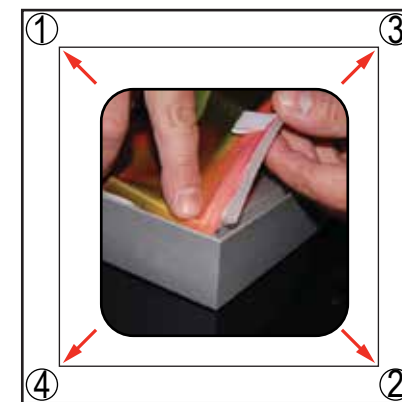
Side-by-Side Disassembly

- 1) Pull pin lock outwards to disengage.
- 2) Pull frames upward and apart at the same time to detach.

SEG Graphic Installation in 3 Steps

The Perfect Fit

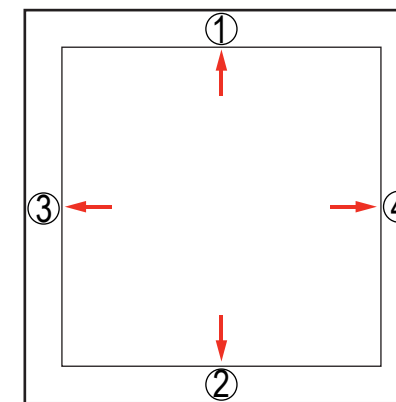
STEP 1: Attach Corners



Always insert graphic into each alternate corner, then into the sides of the frame. Otherwise the graphic will not fit into the frame correctly.

Insert narrow side of silicone welt into the channel at corner 1, with fabric to the outside. Repeat for opposite corner 2, then corner 3, then corner 4.

STEP 2: Attach Middle



Once corners are attached, press the middle of edge 1 into the channel. Then press middle of edge 2 into the channel on opposite side. Repeat with edge 3 & 4.

STEP 3: Attach Sides



Once the middle of sides are attached, fully press the silicone welt into the channel, between center and corner at location 1. Repeat the process between center and corner at location 2.

Do the same for welt on opposite side, at locations 3 & 4. Then repeat for locations 5 & 6 and 7 & 8.



To remove graphic from the frame, locate the fabric pull tab. Gently pull on the tab to remove the graphic.

Install video:

