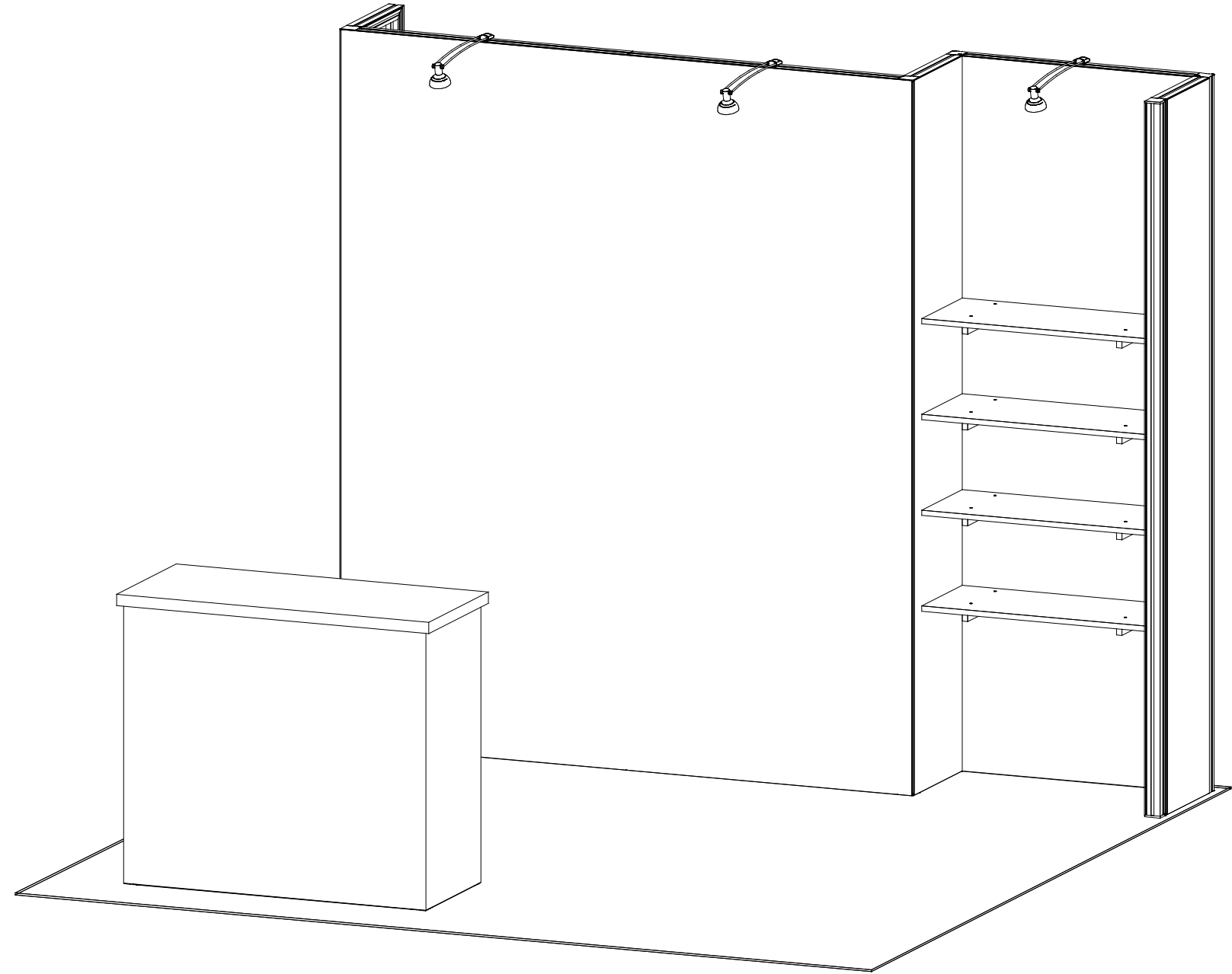


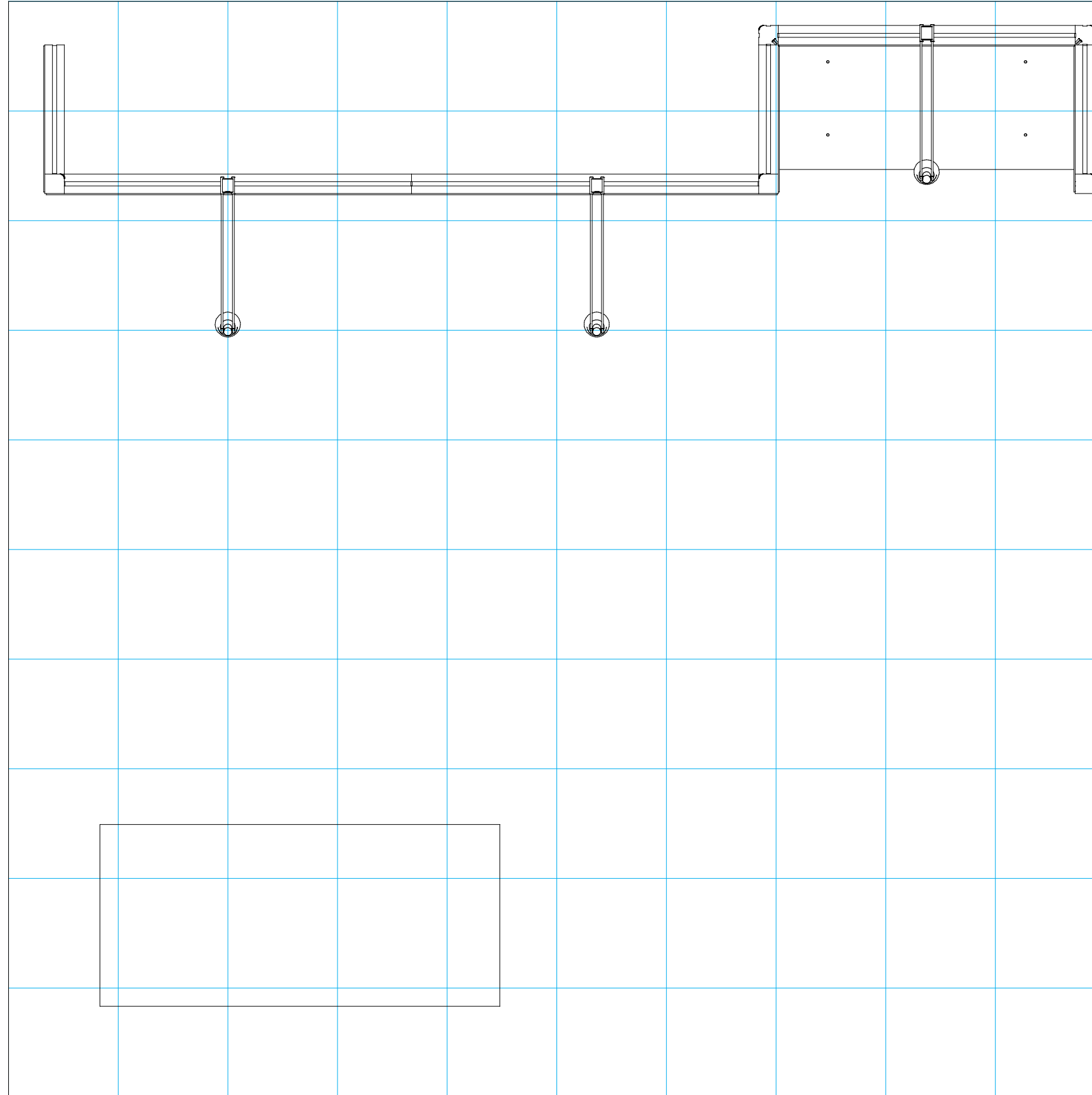
Plan View

10'

10'



SETUP INSTRUCTIONS



= 1 sq foot

General Setup Instructions

- Read entire setup instruction manual prior to unpacking parts and pieces.
- The setup instructions are created specifically for this configuration.
- Setup instructions are laid out sequentially in steps, including exploded views with detailed explanation for assembly.

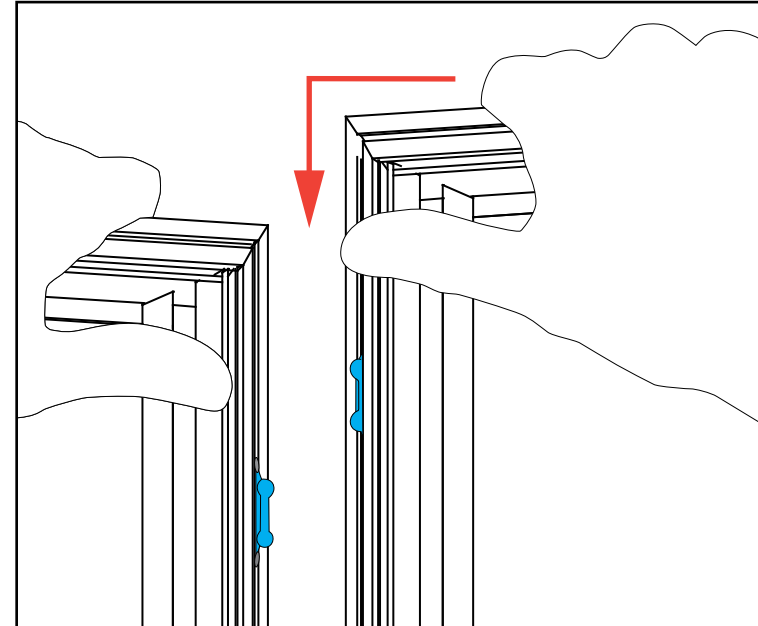
Cleaning & Packing

- For Cleaning Metal, Plex, & Laminate Parts: Use a **MILD NON-ABRASIVE** cleanser and soft cloth/paper towel to clean all surfaces.
- Keep exhibit components away from heat and prolonged sun exposure. **Heat and UV exposure will warp and fade components.**
- Retain all provided Packing Materials. All provided packing materials are for ease of repacking & component protection.

Disassembly

- For loss prevention, tighten all set screws and locks during disassembly.

Assembly

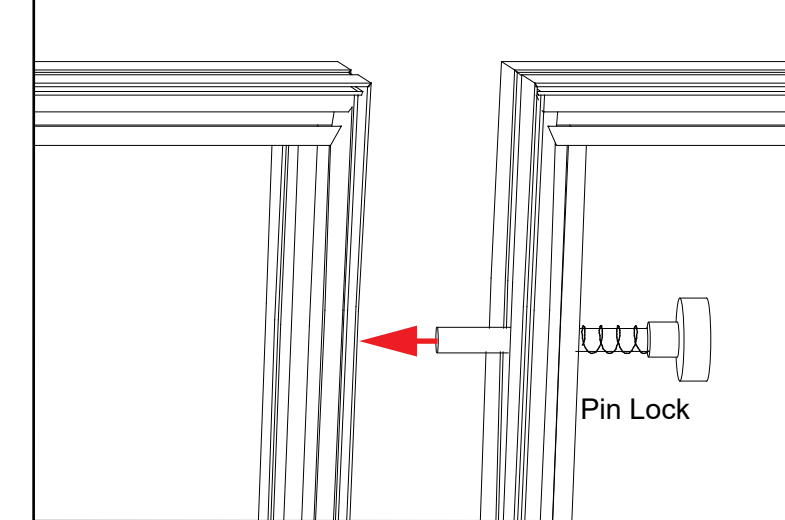


Side-by-Side Assembly

- 1) Frames: Place frames side-by-side with one higher than the other, then slide panel down to lock panels securely together.
- 2) Corner Connectors: Repeat Step 1 for installing corner connectors to frames.

Assembly Cont'd

Push pin lock into hole of connecting frame.
Note: Block on pin lock will secure in groove.

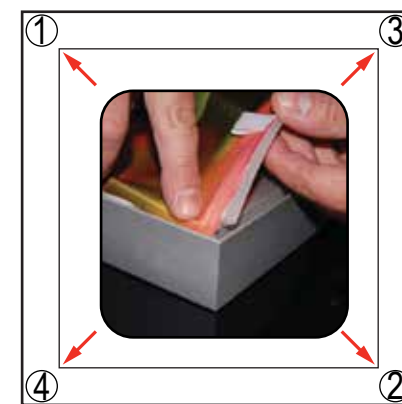


Side-by-Side Disassembly

- 1) Pull pin lock outwards to disengage.
- 2) Pull frames upward and apart at the same time to detach.

SEG Graphic Installation in 3 Steps

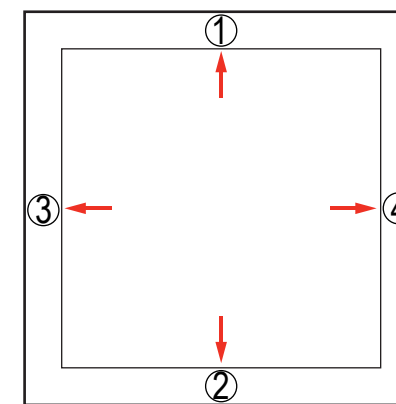
STEP 1: Attach Corners



Always insert graphic into each alternate corner, then into the sides of the frame. Otherwise the graphic will not fit into the frame correctly.

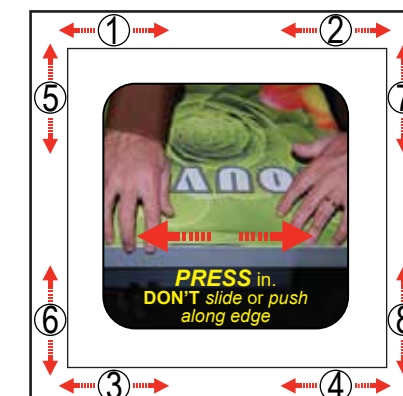
Insert narrow side of silicone welt into the channel at corner 1, with fabric to the outside. Repeat for opposite corner 2, then corner 3, then corner 4.

STEP 2: Attach Middle



Once corners are attached, press the middle of edge 1 into the channel. Then press middle of edge 2 into the channel on opposite side. Repeat with edge 3 & 4.

STEP 3: Attach Sides



Once the middle of sides are attached, fully press the silicone welt into the channel, between center and corner at location 1. Repeat the process between center and corner at location 2.

The Perfect Fit



To remove graphic from the frame, locate the fabric pull tab. Gently pull on the tab to remove the graphic.

Do the same for welt on opposite side, at locations 3 & 4. Then repeat for locations 5 & 6 and 7 & 8.

Install video:



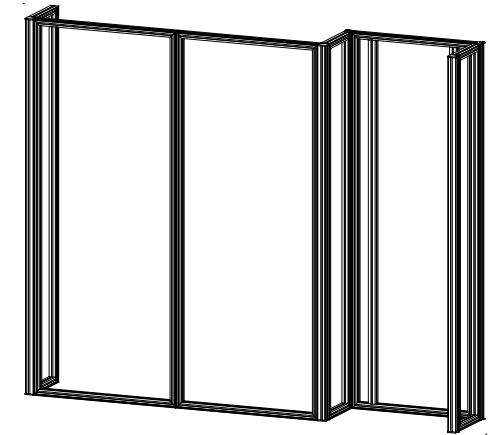
CRATE PACKING

Item	Qty.	Description
1	1	14.125"w x 95"h Gravitee Panel
2	1	94.5"h Gravitee Corner Post w/ Caps Both Ends
3	1	38"w x 95"h Gravitee Panel
4	1	38"w x 95"h Gravitee Panel w/ 91.904" S44
5	1	94.5"h Gravitee Corner Post w/ Caps Both Ends
6	1	14.125"w x 95"h Gravitee Panel
7	1	94.5"h Gravitee Corner Post w/ Caps Both Ends
8	1	32.5"w x 95"h Gravitee Panel w/ Two 91.904" S44
9	1	94.5"h Gravitee Corner Post w/ Caps Both Ends
10	1	14.125"w x 95"h Gravitee Panel
11	1	94.5"h Gravitee Corner Post w/ Caps Both Ends

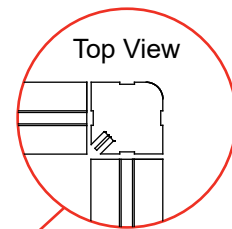
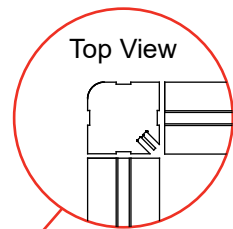
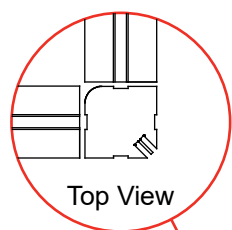
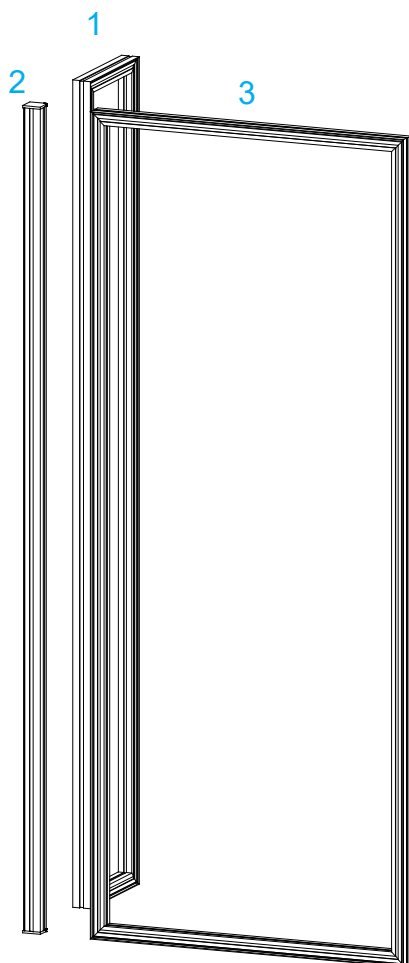
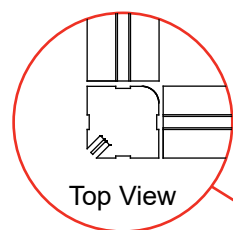
Steps:

Refer to the Gravitee Assembly general information page.

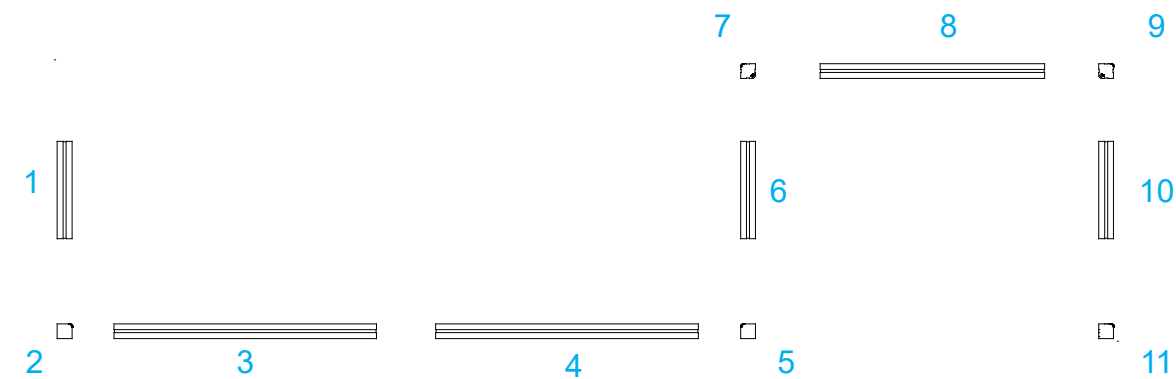
- 1) Assemble Gravitee panels & posts [1] through [11] in numerical order as shown.



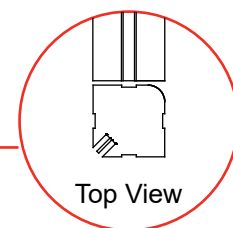
When assembled



FRONT VIEW

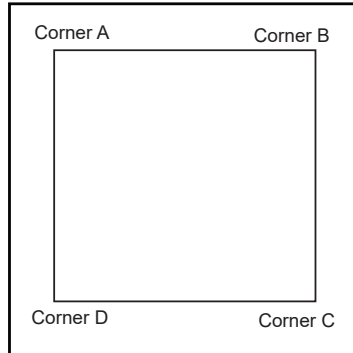


PLAN VIEW



Keep internal extrusions attached to Gravitee panels.
DO NOT REMOVE.

SEG Graphic Installation



It is important to first insert graphic into each alternate corner, then to the sides of the frame. If this is not done, graphic will not fit into the frame correctly.

Step 1
Insert corner A. Turn edge of graphic so silicon welt is perpendicular to face of graphic. Insert narrow side of welt with fabric to outside into the channel. Repeat for other side of this corner.



Step 2
Repeat Step 1 for opposite corner C, then insert corner B, followed by corner D, to complete the installation of the corners.



Step 3
Once all corners are inserted, press one silicon edge into channel from corners and work toward the center. Make sure welt is fully inserted into channel. Continue until all sides are done. Smooth out edges of graphic.

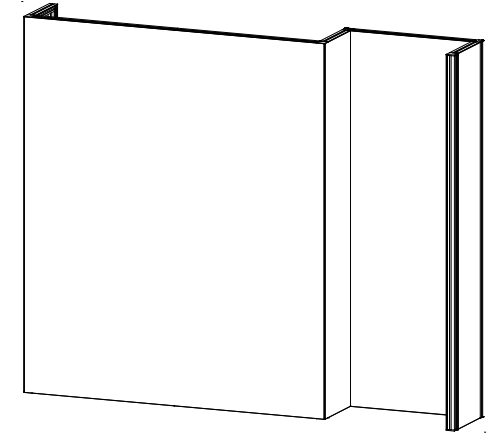


Graphic Removal

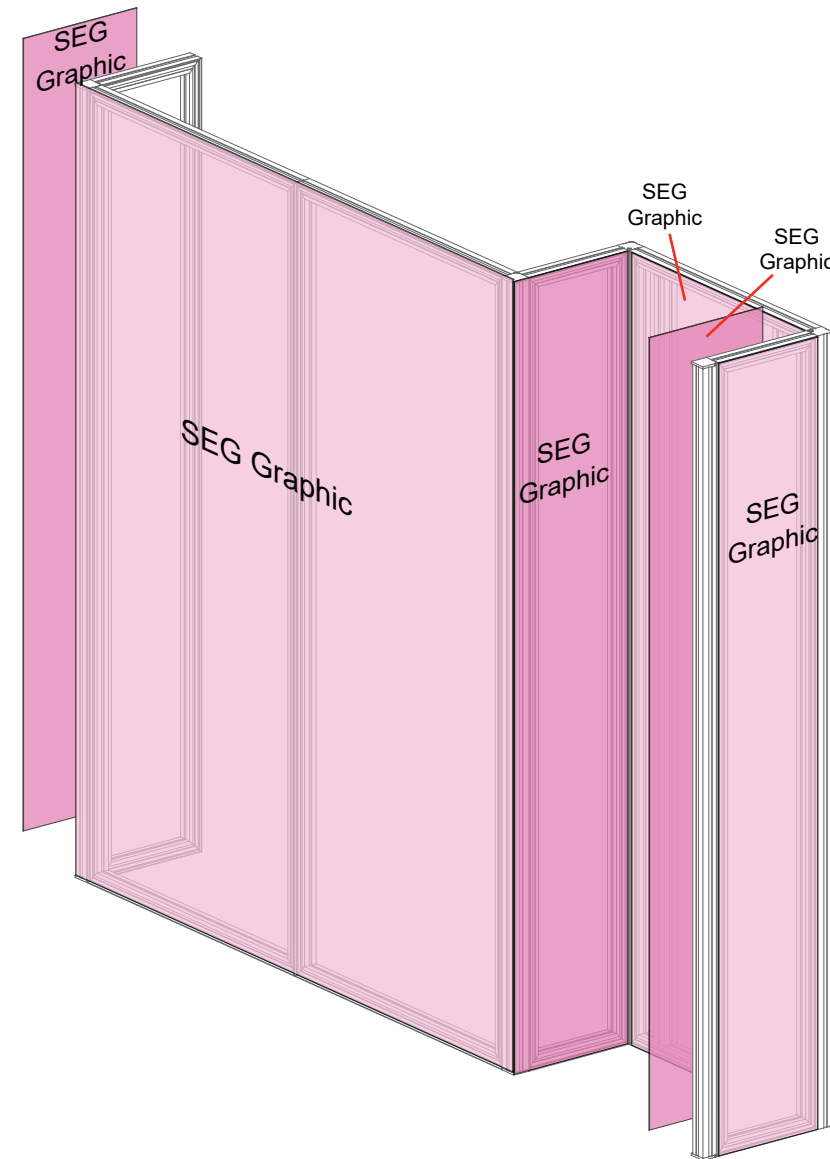
To remove the graphic from the frame, locate the fabric pull tab. Gently pull up on the tab to remove the fabric.

Steps:

1) Apply SEG graphics to backwall frames as shown.



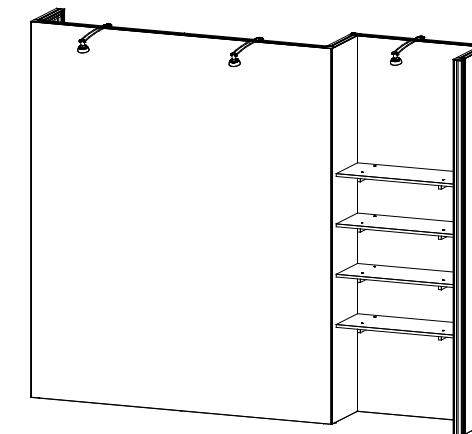
When assembled



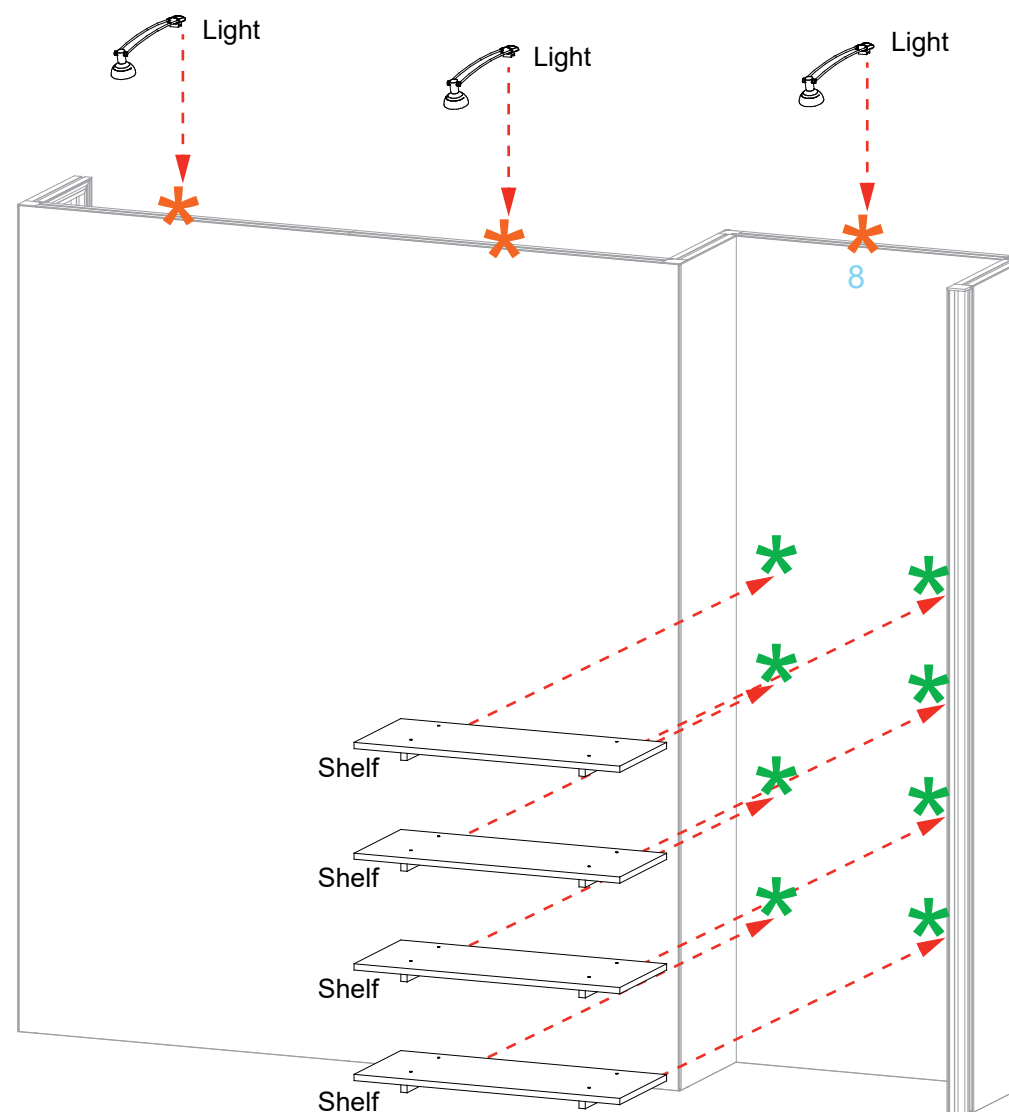
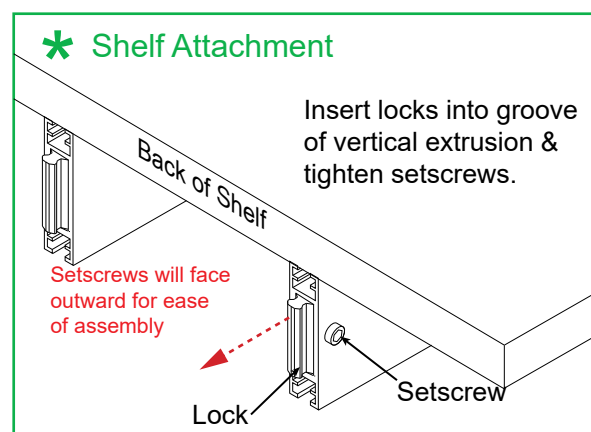
FRONT VIEW

Steps:

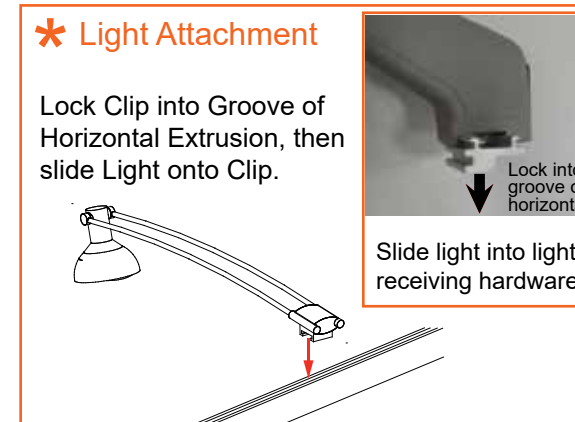
- 1) Attach shelves to panel [8] through holes in graphic.
See [Shelf Attachment](#) detail.
- 2) Connect lights to top of display where desired.
See [Light Attachment](#) detail.



Completed Assembly



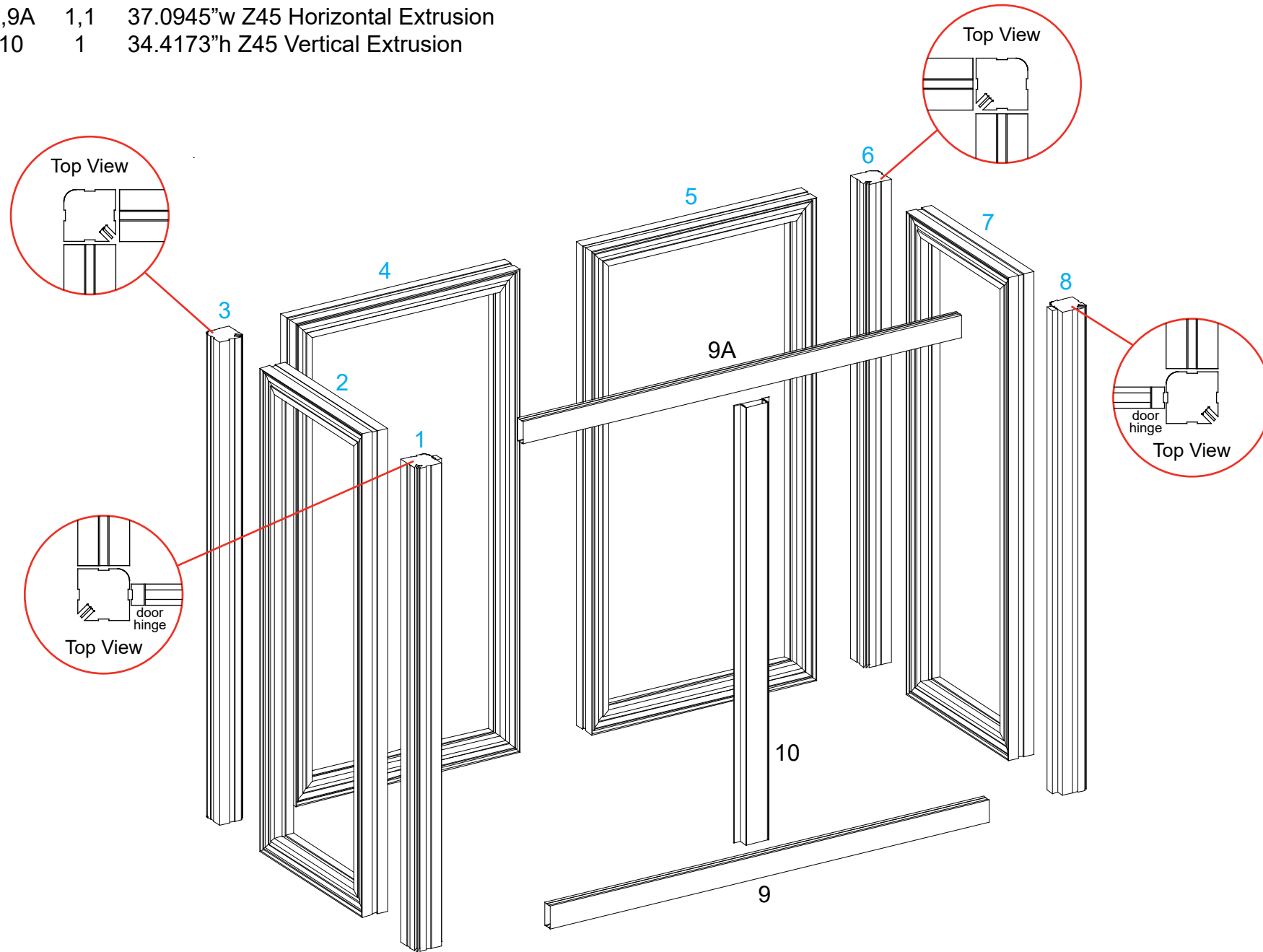
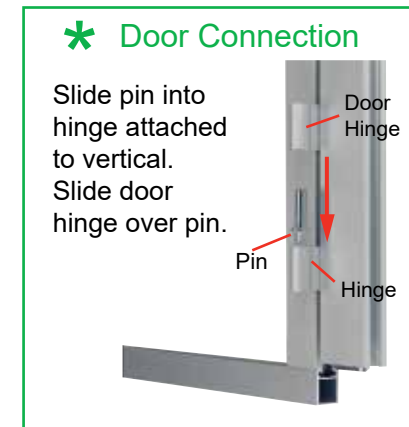
FRONT VIEW



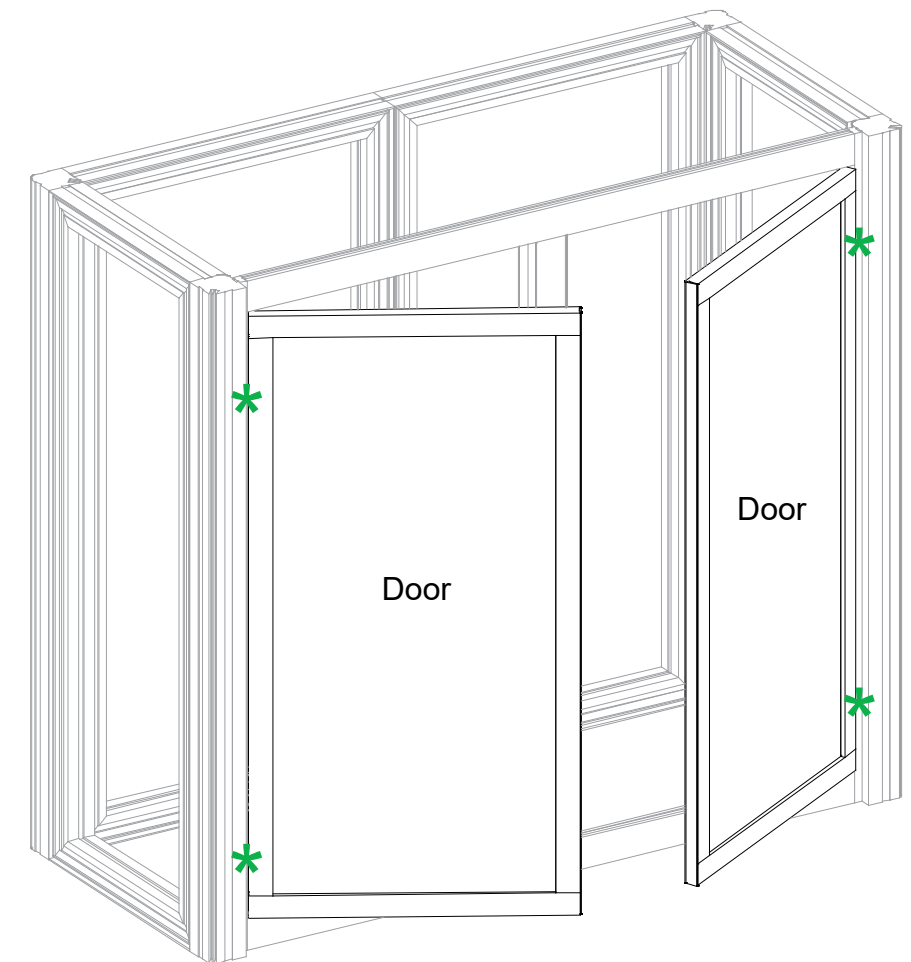
Item	Qty.	Description
1	1	38"h Gravitee Corner Post w/ Door Attachment
2	1	14.125"w x 38"h Gravitee Panel Frame
3	1	38"h Gravitee Corner Post
4	1	19"w x 38"h Gravitee Panel Frame
5	1	19"w x 38"h Gravitee Panel Frame
6	1	38"h Gravitee Corner Post
7	1	14.125"w x 38"h Gravitee Panel Frame
8	1	38"h Gravitee Corner Post w/ Door Attachment
9,9A	1,1	37.0945"w Z45 Horizontal Extrusion
10	1	34.4173"h Z45 Vertical Extrusion

Steps:

- 1) Assemble Gravitee panels and posts in numerical order, as shown, making sure Velcro is facing inward. See Gravitee Panel Assembly sheet, for instruction.
- 2) Attach horizontal extrusions [9] and [9A] between posts [2] and [7].
- 3) Attach vertical [10] between horizontals [9] and [9A].
- 4) Connect doors to posts [1] and [8]. See **Door Connection** detail.



Back View

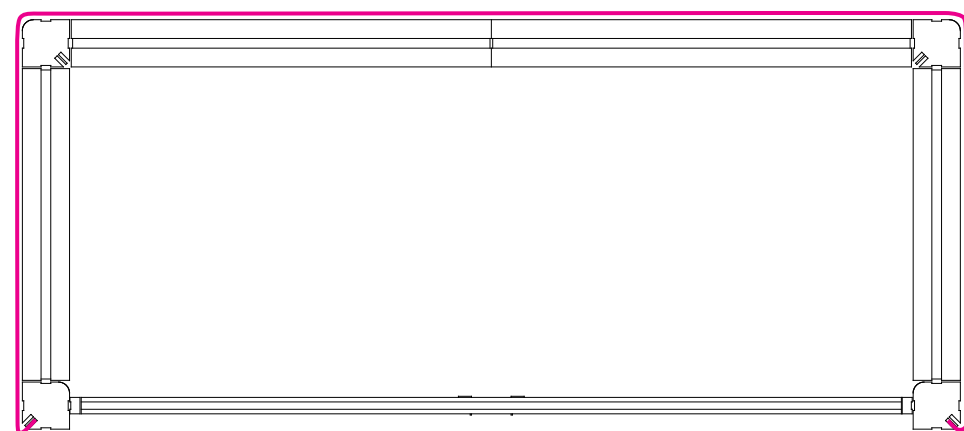


Back View

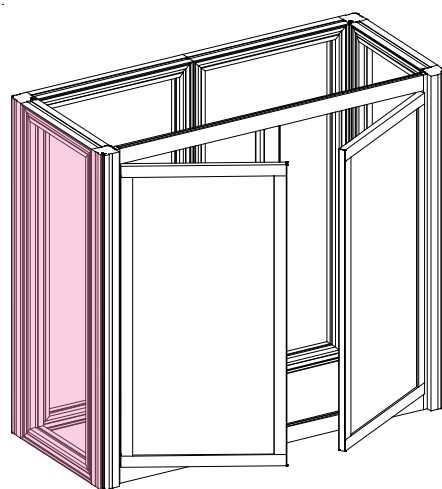
Steps:

- 1) Wrap **SEG Graphic** around front and sides of assembled counter.
See SEG Graphic Installation sheet for instruction.
- 2) Connect shelf supports to Velcro, then place shelf on top of supports.
- 3) Lock counter top to panels [2] and [7]. See **Counter Top Lock** detail.

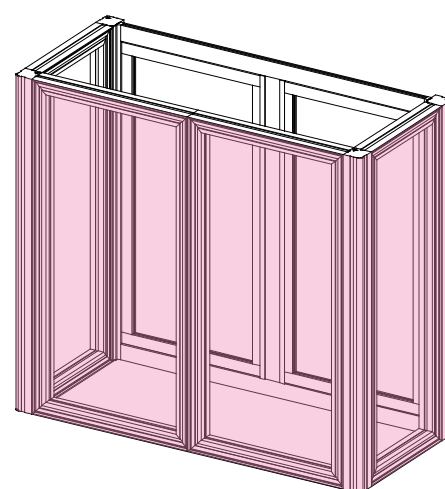
Keep connectors [1] [8] extrusions [9] [9A] [10] and doors assembled, when packing.



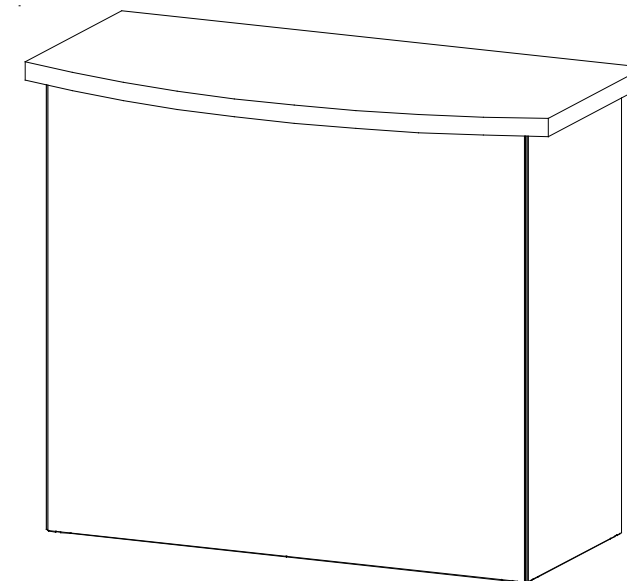
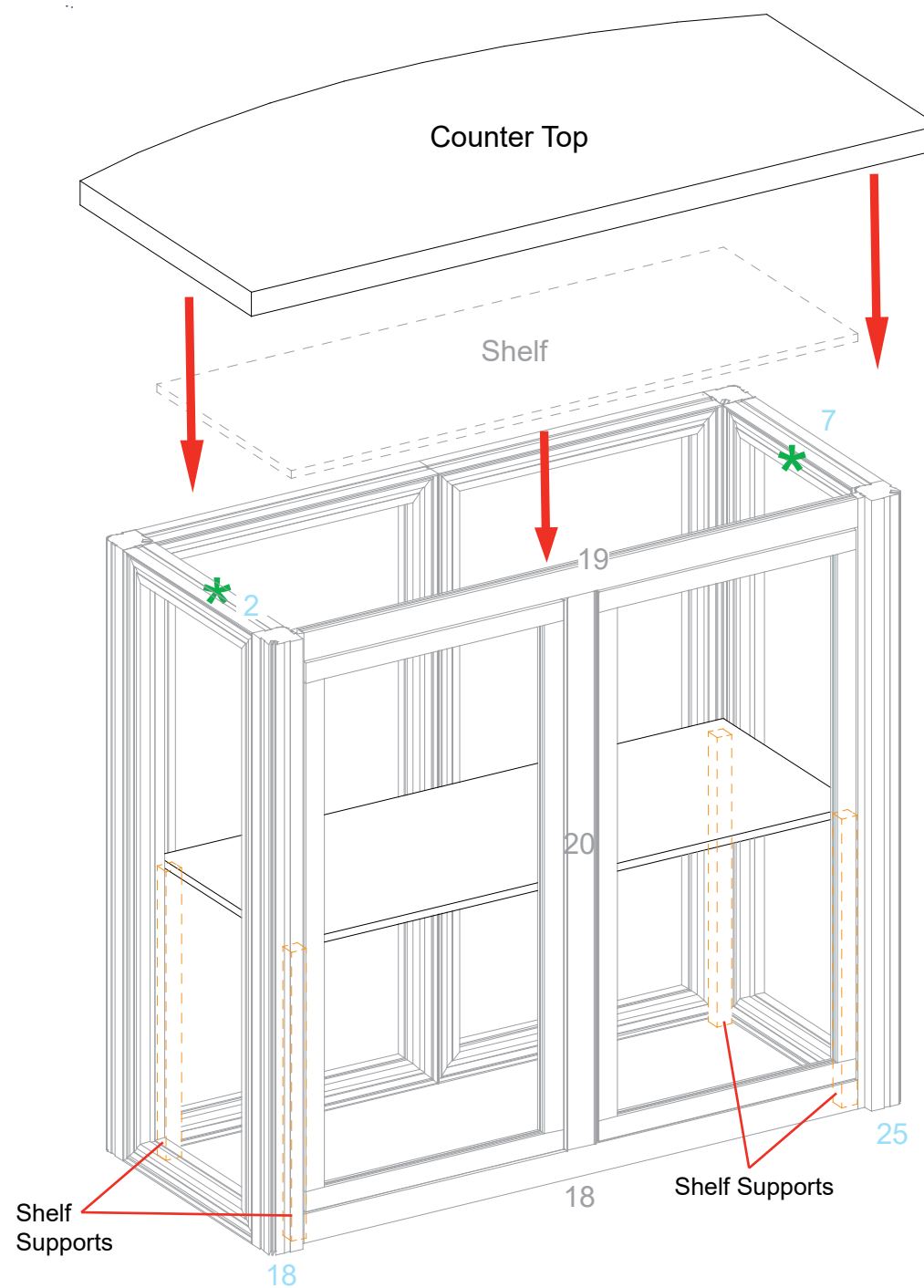
Top View



Back View



Front View



Completed Assembly

