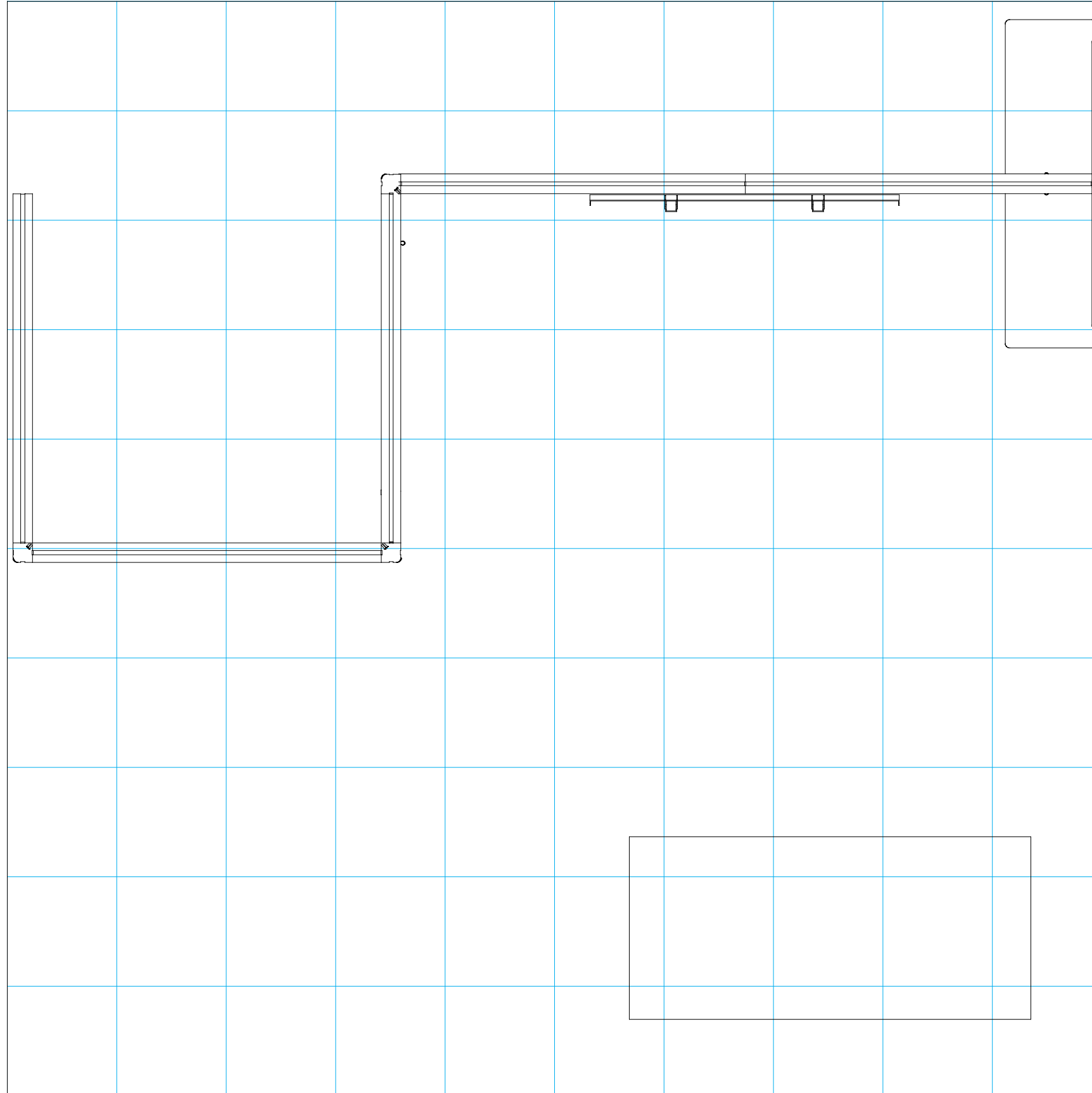


# ***SETUP INSTRUCTIONS***



= 1 sq foot

## General Setup Instructions

- Read entire setup instruction manual prior to unpacking parts and pieces.
- The setup instructions are created specifically for this configuration.
- Setup instructions are laid out sequentially in steps, including exploded views with detailed explanation for assembly.

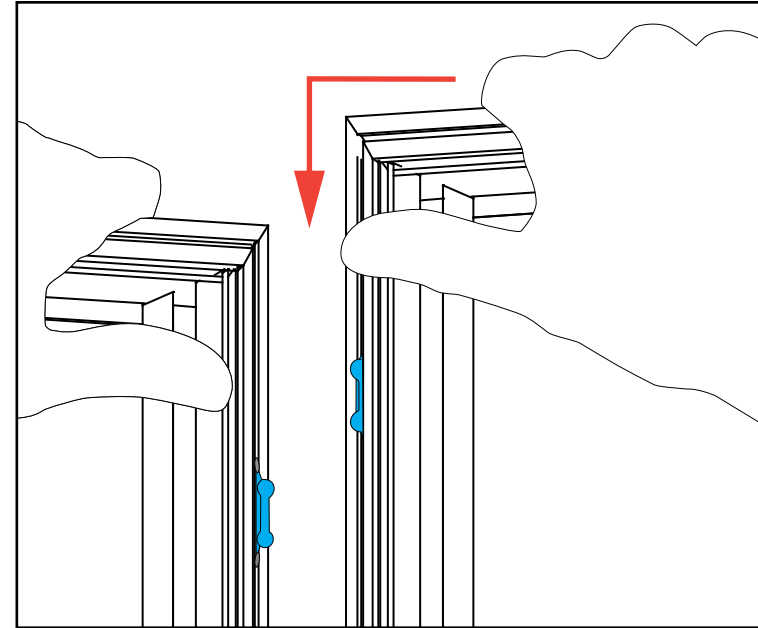
## Cleaning & Packing

- For Cleaning Metal, Plex, & Laminate Parts: Use a **MILD NON-ABRASIVE** cleanser and soft cloth/paper towel to clean all surfaces.
- Keep exhibit components away from heat and prolonged sun exposure. **Heat and UV exposure will warp and fade components.**
- Retain all provided Packing Materials. All provided packing materials are for ease of repacking & component protection.

## Disassembly

- For loss prevention, tighten all set screws and locks during disassembly.

Assembly

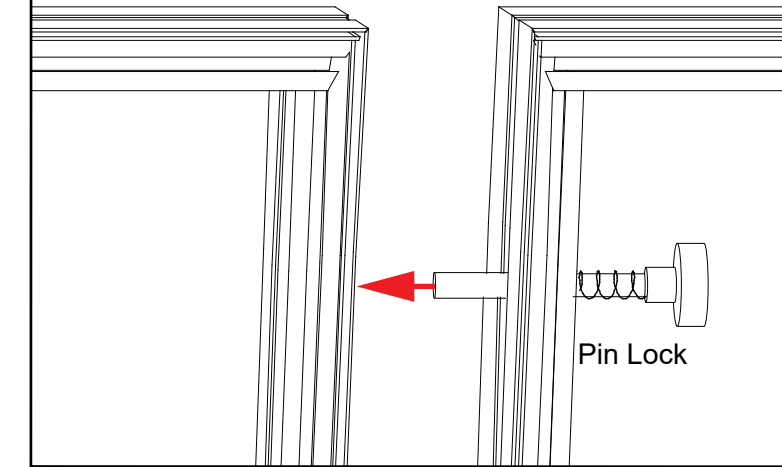


### Side-by-Side Assembly

- 1) Frames: Place frames side-by-side with one higher than the other, then slide panel down to lock panels securely together.
- 2) Corner Connectors: Repeat Step 1 for installing corner connectors to frames.

Assembly Cont'd

Push pin lock into hole of connecting frame.  
Note: Block on pin lock will secure in groove.



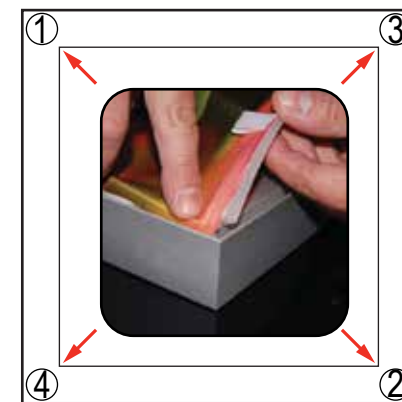
### Side-by-Side Disassembly

- 1) Pull pin lock outwards to disengage.
- 2) Pull frames upward and apart at the same time to detach.

## SEG Graphic Installation in 3 Steps

The Perfect Fit

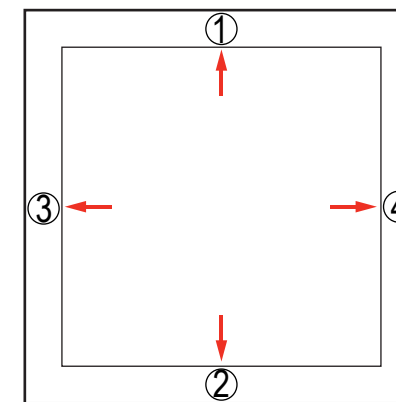
### STEP 1: Attach Corners



Always insert graphic into each alternate corner, then into the sides of the frame. Otherwise the graphic will not fit into the frame correctly.

Insert narrow side of silicone welt into the channel at corner 1, with fabric to the outside. Repeat for opposite corner 2, then corner 3, then corner 4.

### STEP 2: Attach Middle



Once corners are attached, press the middle of edge 1 into the channel. Then press middle of edge 2 into the channel on opposite side. Repeat with edge 3 & 4.

### STEP 3: Attach Sides



Once the middle of sides are attached, fully press the silicone welt into the channel, between center and corner at location 1. Repeat the process between center and corner at location 2.

Do the same for welt on opposite side, at locations 3 & 4. Then repeat for locations 5 & 6 and 7 & 8.



To remove graphic from the frame, locate the fabric pull tab. Gently pull on the tab to remove the graphic.

Install video:



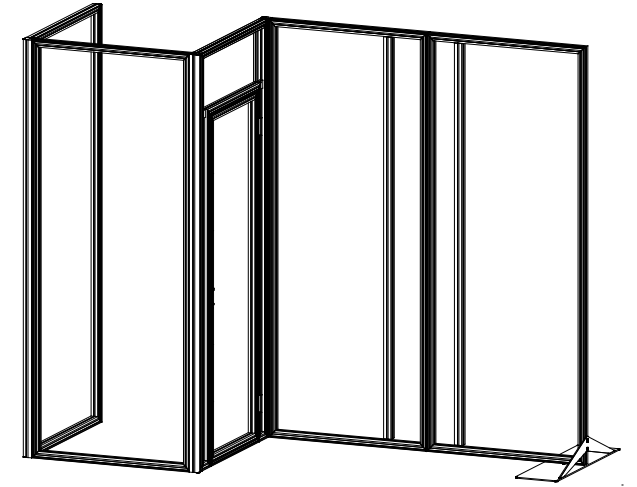
CRATE PACKING

Item	Qty.	Description
1	1	Corner Base Plate
1	1	38" w x 95" h Gravitee Panel
2	1	94.5" h Gravitee Corner Post w/ Caps
3	1	38" w x 95" h Gravitee Panel
4	1	94.5" h Gravitee Corner Post w/ Caps
5	1	38" w x 95" h Gravitee Panel w/ Door
6	1	95" h Gravitee Corner Post
7	1	38" w x 95" h Gravitee Panel w/ S44
8	1	38" w x 95" h Gravitee Panel w/ S44

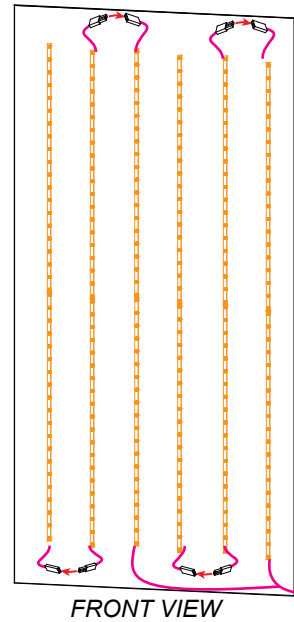
Steps:

Refer to the Gravitee Assembly general information page.

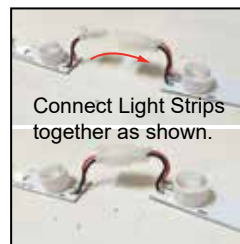
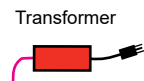
- 1) Attach Corner Base Plate [1] to Gravitee panel [8].  
See **Base Plate Attachment** detail.
- 2) Assemble Gravitee panels & posts [1] through [8] together as shown.
- 3) Attach Gravitee light panel to Panel [3] & connect transformers.  
See **Light Connection** detail.



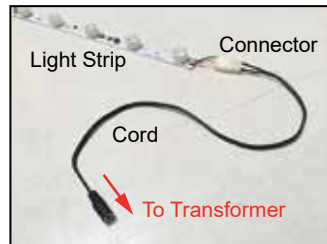
\* Light Connection



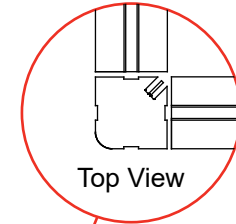
- 1) Connect light strips together & attach transformers.
- 2) Run power cords out hole in back of light panel to power source.
- 3) Affix light panel to back of Gravitee panel using Velcro.



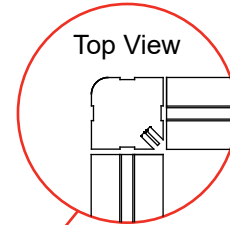
Light to Light Attachment



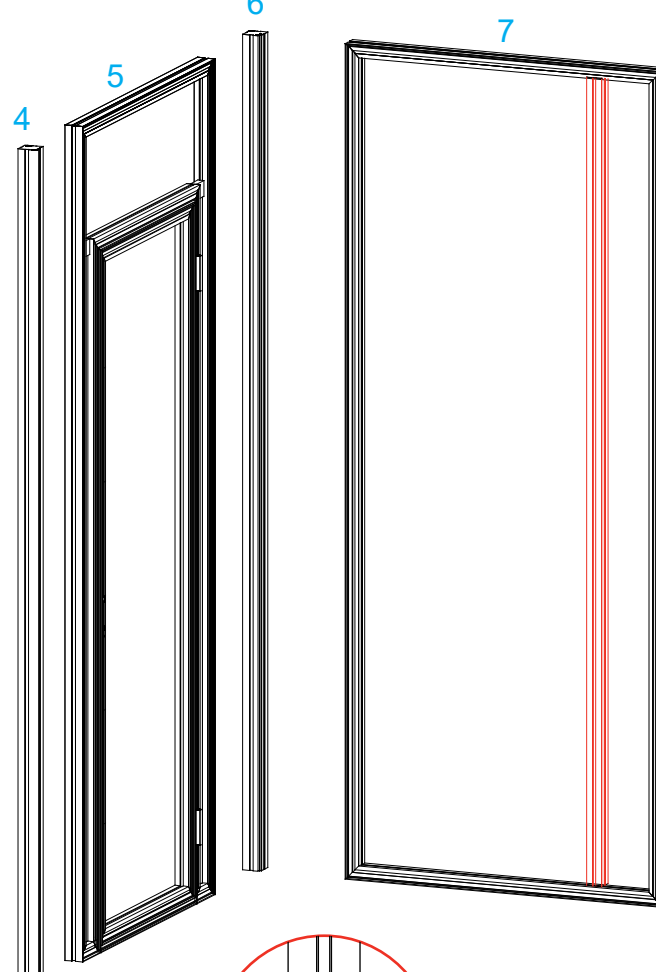
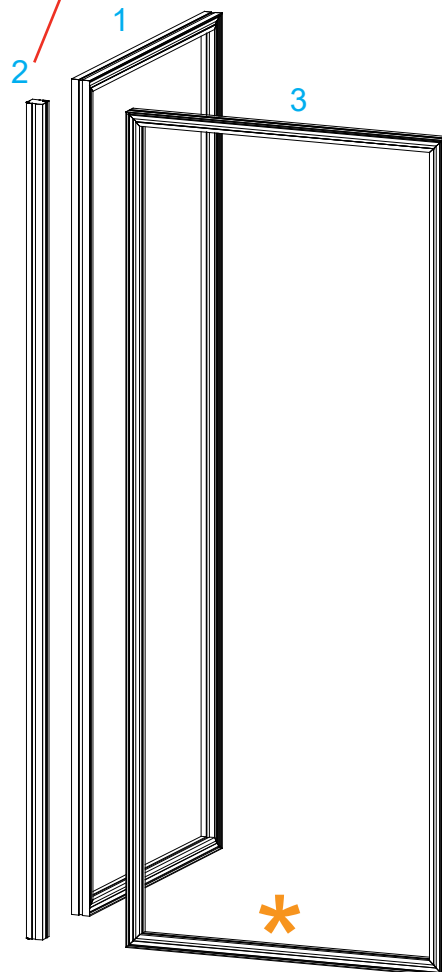
Light to Transformer Attachment



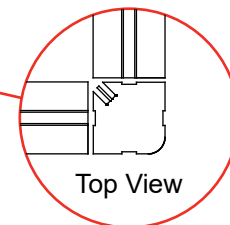
Top View



Top View



FRONT VIEW

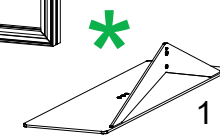
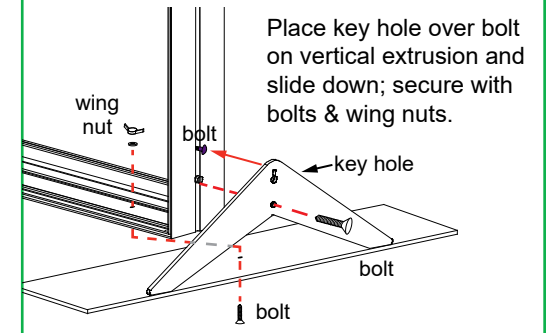


Top View

Internal extrusions stay attached to Gravitee panels. **DO NOT DISASSEMBLE.**

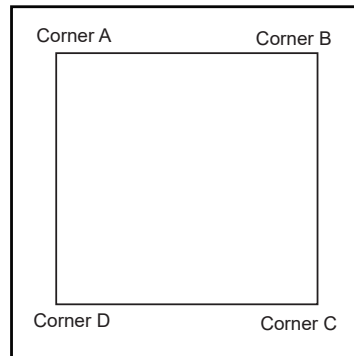
When assembled

\* Base Plate Attachment



1

## SEG Graphic Installation



It is important to first insert graphic into each alternate corner, then to the sides of the frame. If this is not done, graphic will not fit into the frame correctly.

**Step 1**  
Insert corner A. Turn edge of graphic so silicon welt is perpendicular to face of graphic. Insert narrow side of welt with fabric to outside into the channel. Repeat for other side of this corner.



**Step 2**  
Repeat Step 1 for opposite corner C, then insert corner B, followed by corner D, to complete the installation of the corners.



**Step 3**  
Once all corners are inserted, press one silicon edge into channel from corners and work toward the center. Make sure welt is fully inserted into channel. Continue until all sides are done. Smooth out edges of graphic.



### Graphic Removal

To remove the graphic from the frame, locate the fabric pull tab. Gently pull up on the tab to remove the fabric.

Steps:

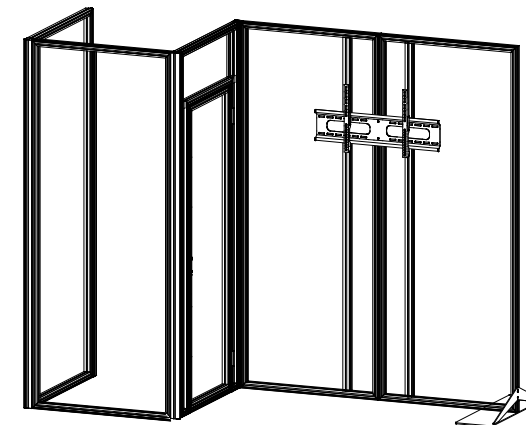
1) Attach SEG Graphics to assembled backwall, as shown.



FRONT VIEW

Steps:

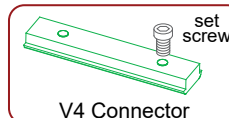
- 1) Attach monitor mount to vertical extrusions in Panels [7,8].  
See **Monitor Mount Attachment** detail.



Completed Assembly

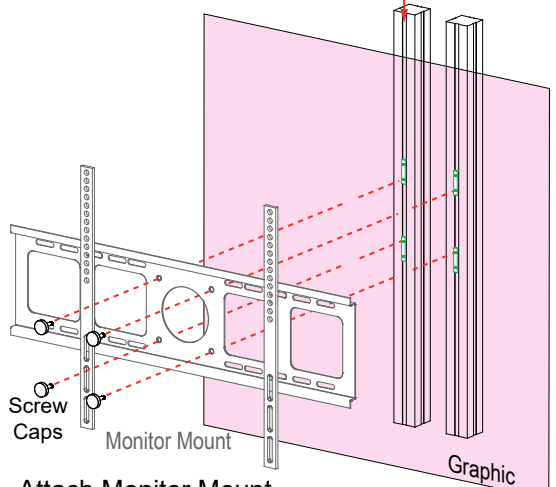
**\* Monitor Mount Attachment**

Slide V4 connectors into vertical channel of extrusions. Tighten set screws to secure.



V4 Connector

set screw



Screw Caps

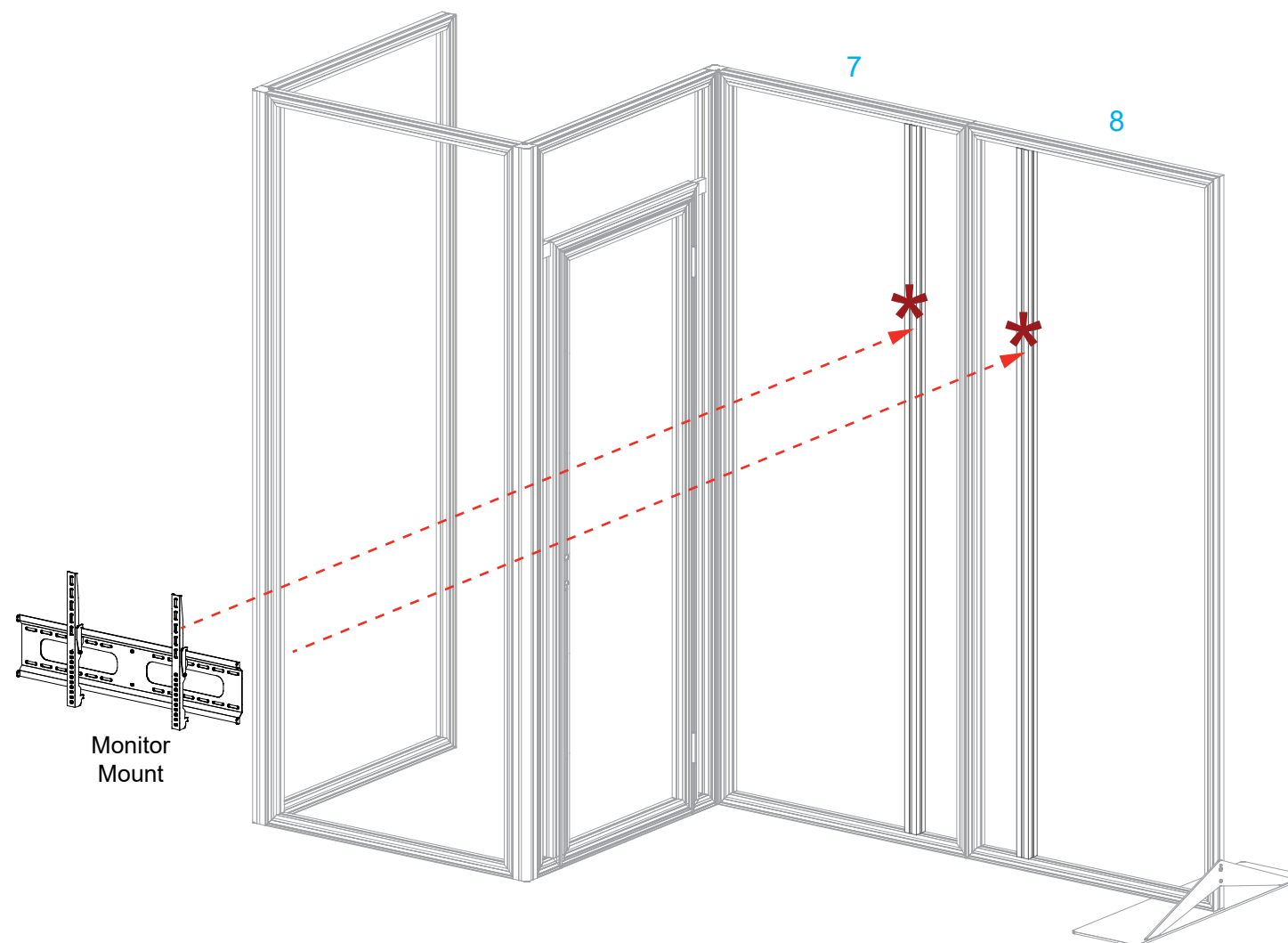
Monitor Mount

Graphic

V4

Attach Monitor Mount to V4 Connectors using screw caps.

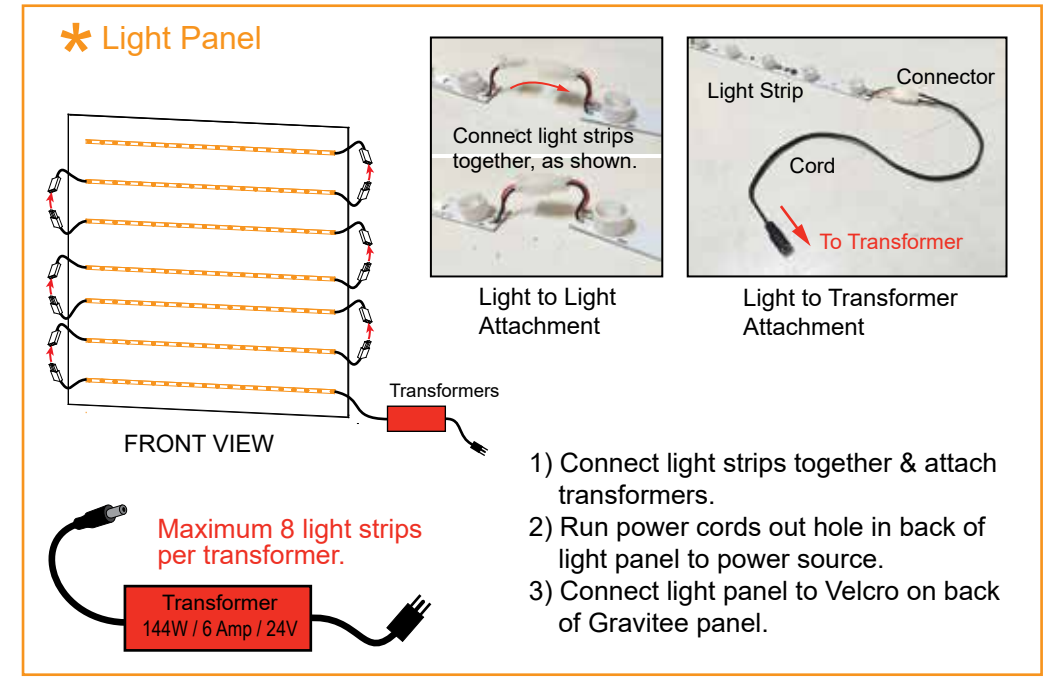
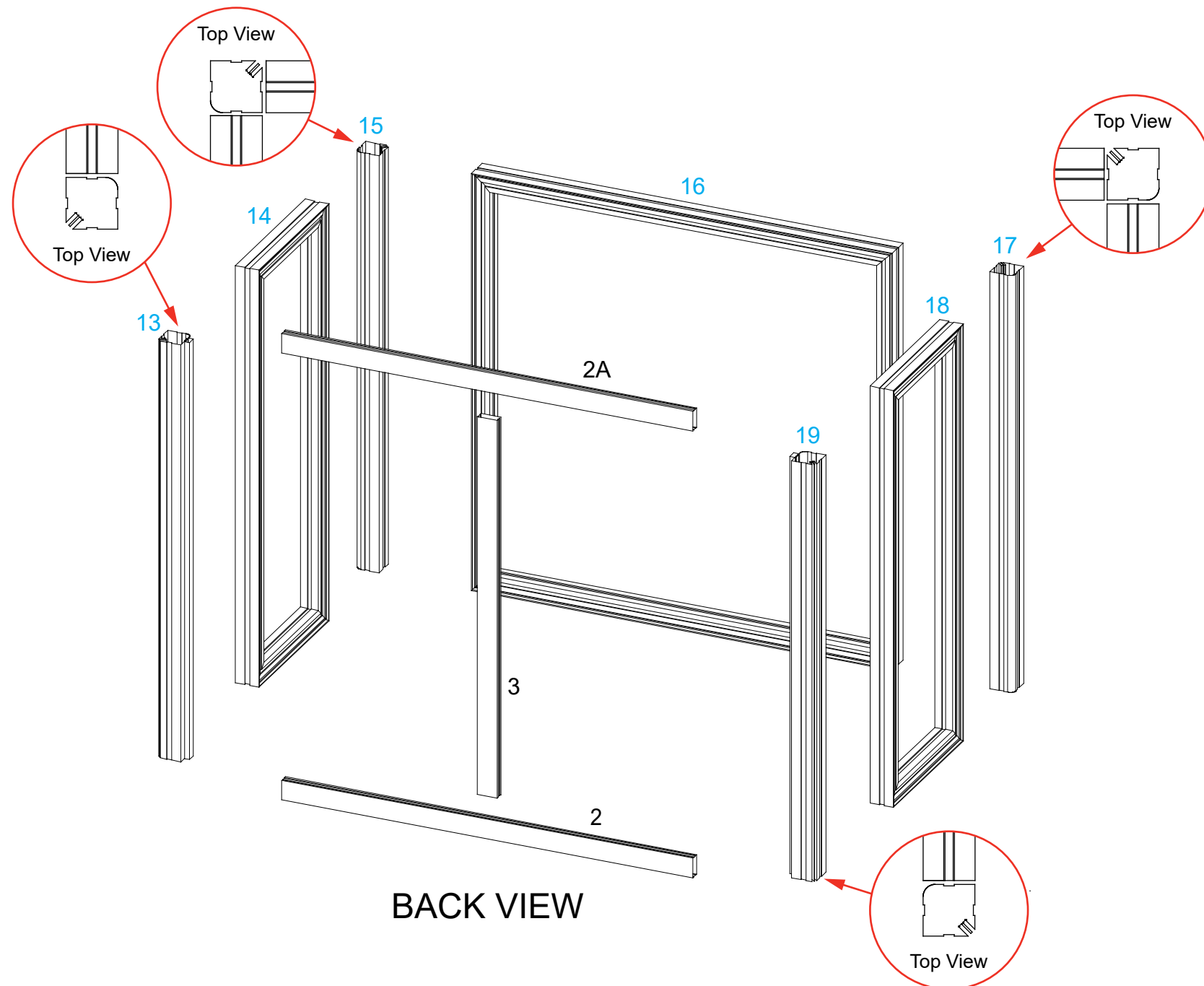
*Note: Monitor mount installs over graphic.*



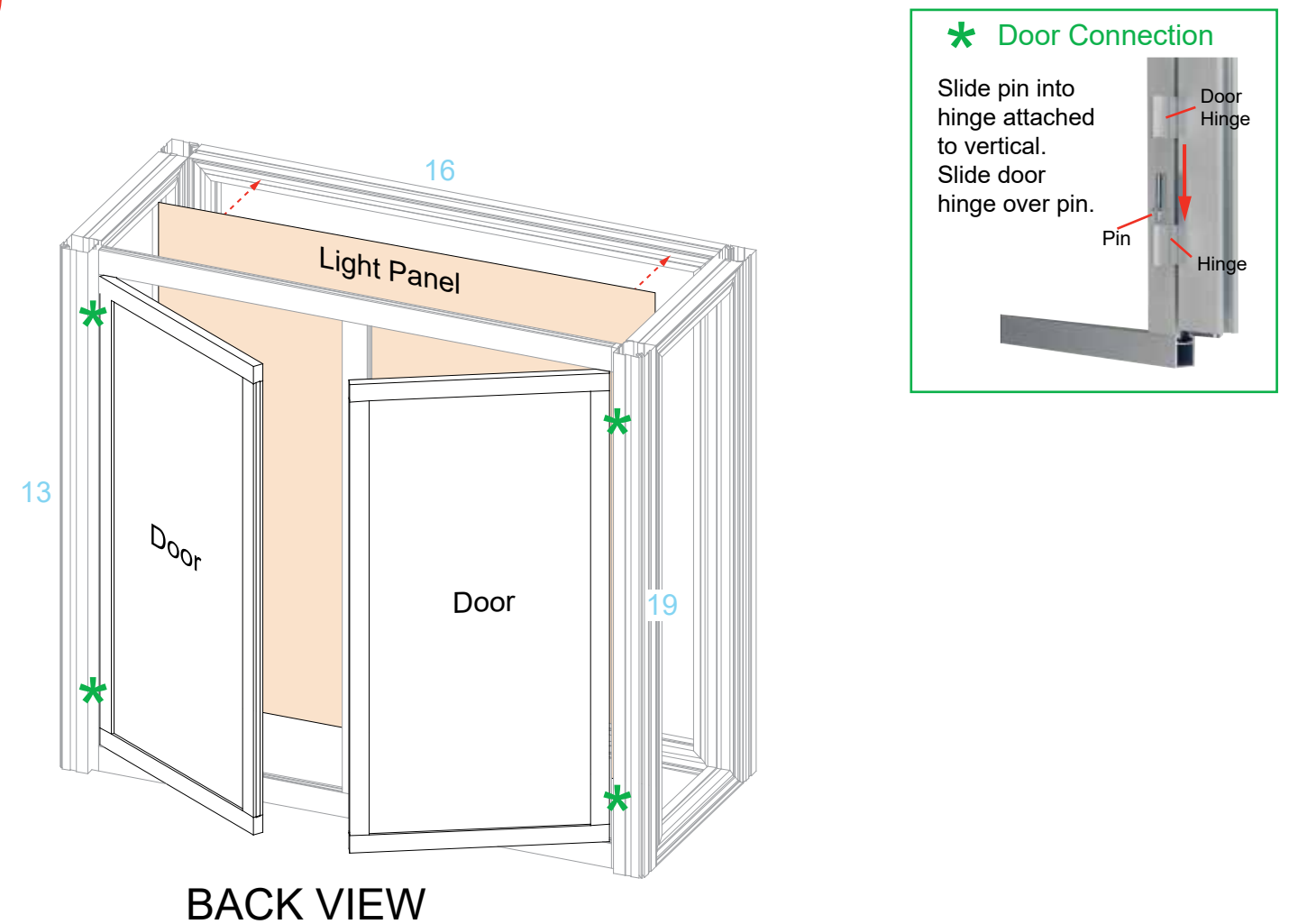
Item	Qty.	Description
13	1	37.5"h Gravitee Corner Post w/ S10 Caps & Door Hinges
14	1	14.125"w x 38"h Gravitee panel
15	1	37.5"h Gravitee Corner Post w/ caps
16	1	38"w x 38"h Backlit Gravitee Panel
17	1	37.5"h Gravitee Corner Post w/ caps
18	1	14.125"w x 38"h Gravitee panel
19	1	37.5"h Gravitee Corner Post w/ S10 Caps & Door Hinges
2,2A	1,1	37.094"w Z45 Horizontal Extrusion
3	1	34.417"h Z45 Vertical Extrusion w/ Door Stopper
--	--	Light Panel for Gravitee Panel [16]

Steps:

- 1) Assemble Gravitee panels & posts together, in numerical order as shown, making sure Velcro is facing inward.
- 2) Attach lower horizontal [2] between posts [13] and [19].
- 3) Attach vertical [3] to horizontal [2].
- 4) Attach upper horizontal [2A] between posts [13] and [19], then attach vertical [3] to horizontal [2A].
- 5) Connect doors to posts [13] and [19]. See [Door Connection](#) detail.
- 6) Connect light panel to back of Gravitee panel [16]. See [Light Panel](#) detail.

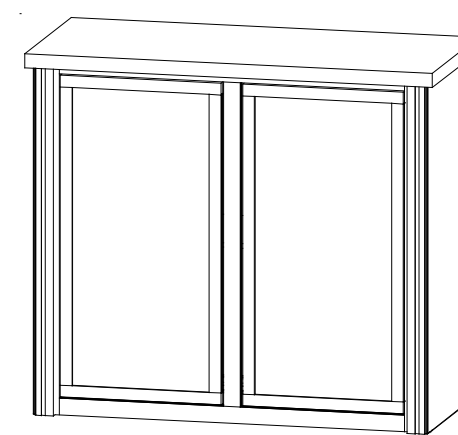


- 1) Connect light strips together & attach transformers.
- 2) Run power cords out hole in back of light panel to power source.
- 3) Connect light panel to Velcro on back of Gravitee panel.

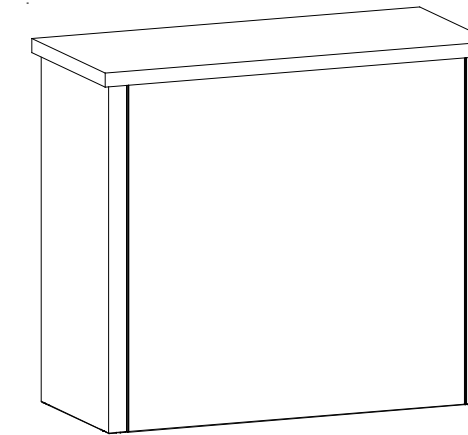


Item	Qty.	Description
--	4	18"h Shelf Supports

- Steps:
- 1) Apply SEG graphics to front and sides of counter assembly. See General Information sheet for instruction.
  - 2) Connect shelf supports to Velcro on inside of [14] and [18], then place shelf onto shelf supports.
  - 3) Lock counter top to horizontals [14] and [18]. See Counter Top Lock detail.

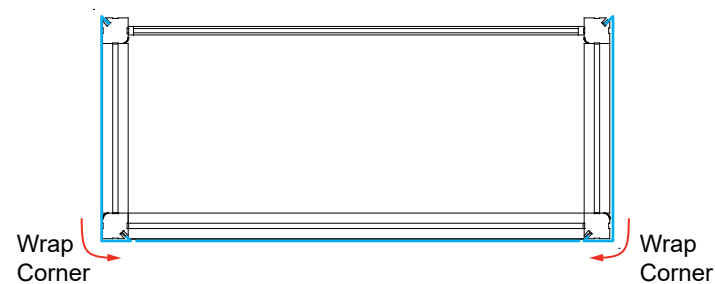


Back View

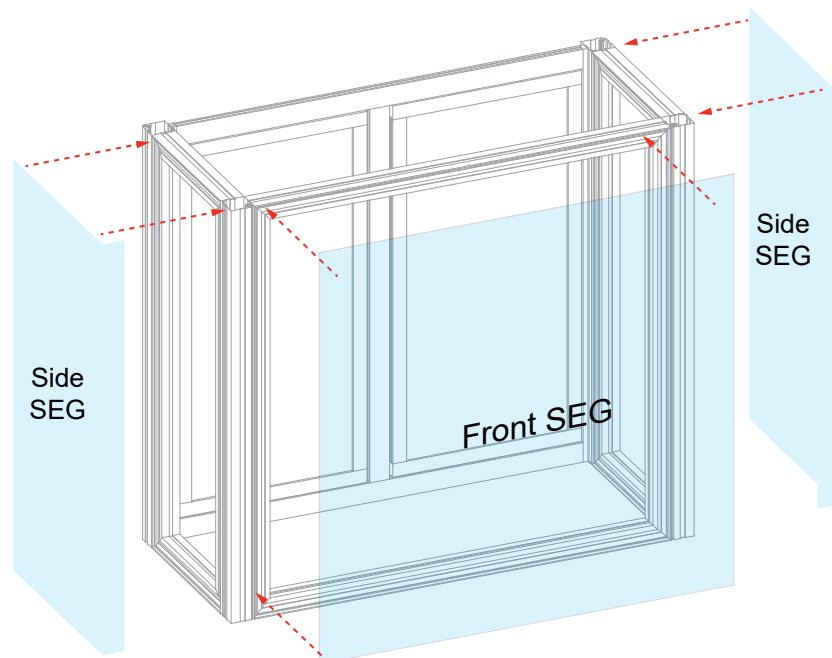


Front View

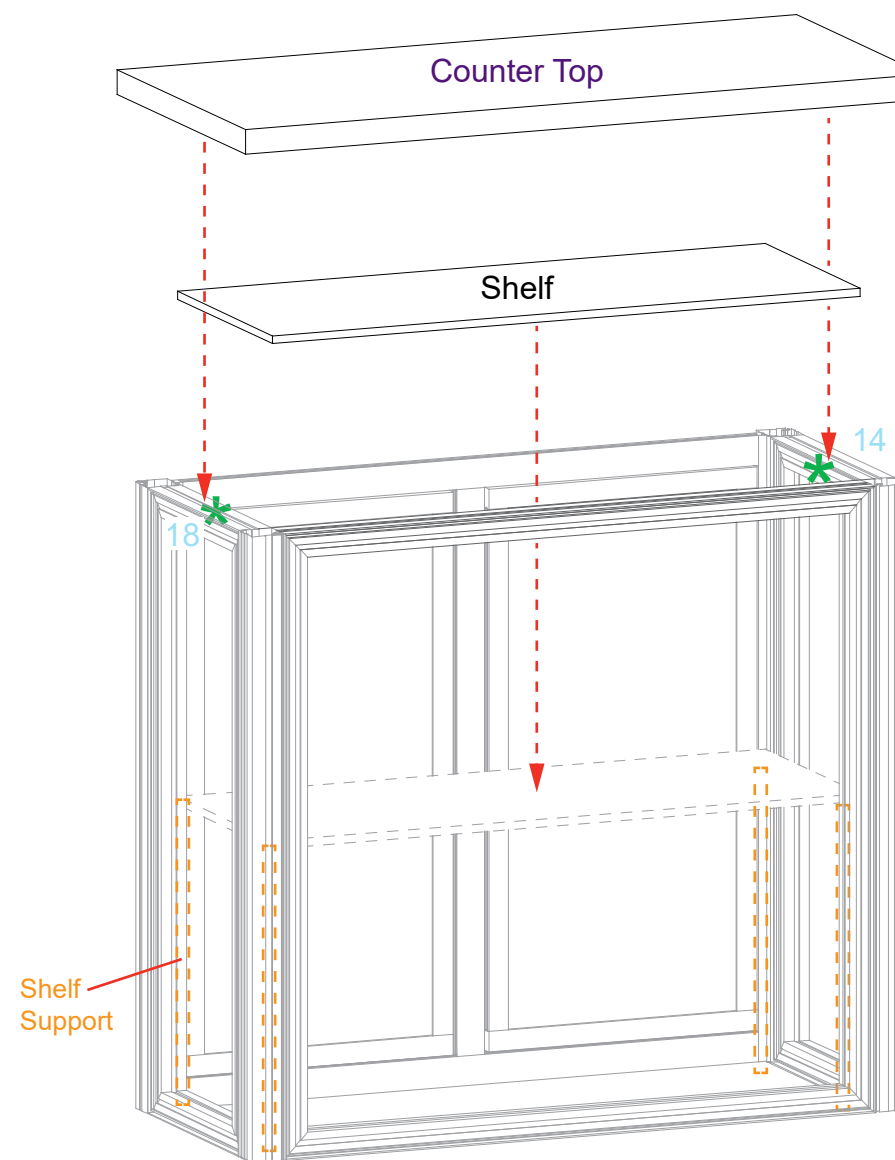
Completed Assembly



TOP VIEW



FRONT VIEW



FRONT VIEW

