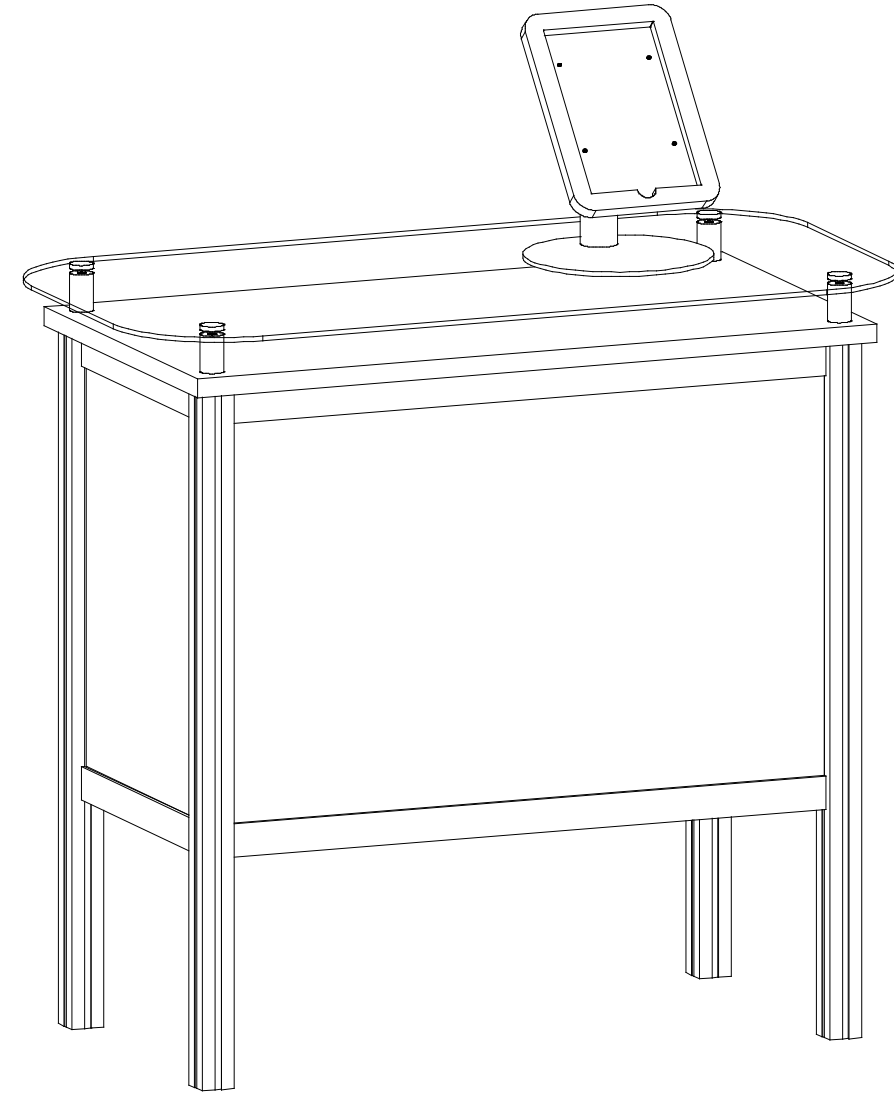


Plan View



Perspective View

SETUP INSTRUCTIONS

General Setup Instructions

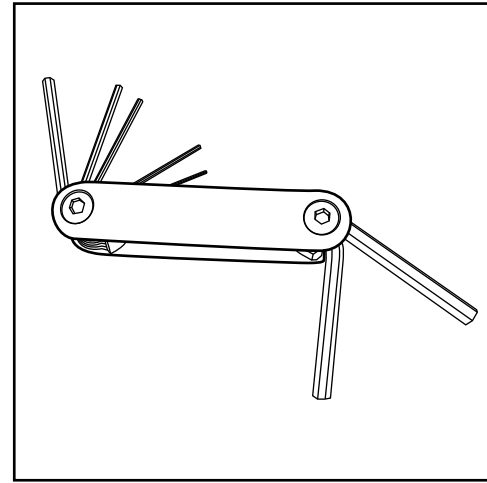
- Read entire setup instruction manual prior to unpacking parts and pieces.
- The setup instructions are created specifically for this configuration.
- Setup instructions are laid out sequentially in steps, including exploded views with detailed explanation for assembly.

Cleaning & Packing

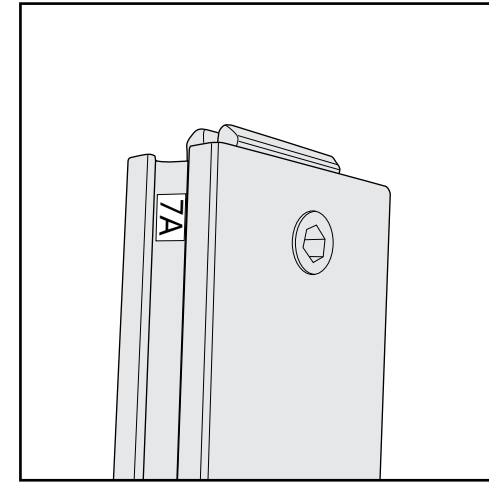
- For Cleaning Metal, Plex, & Laminate Parts: Use a **MILD NON-ABRASIVE** cleanser and soft cloth/paper towel to clean all surfaces.
- Keep exhibit components away from heat and prolonged sun exposure.
Heat and UV exposure will warp and fade components.
- Retain all provided Packing Materials. All provided packing materials are for ease of repacking & component protection.

Disassembly

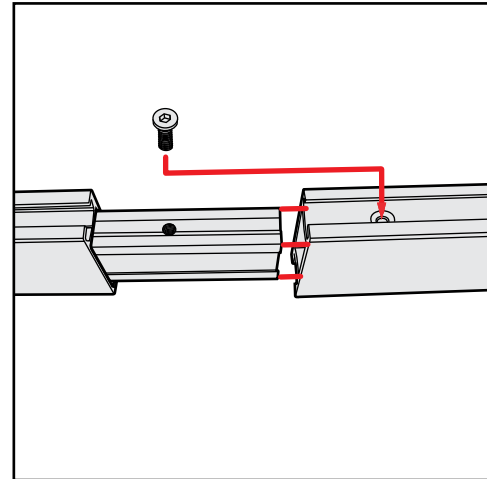
- For loss prevention, tighten all set screws and locks during disassembly.



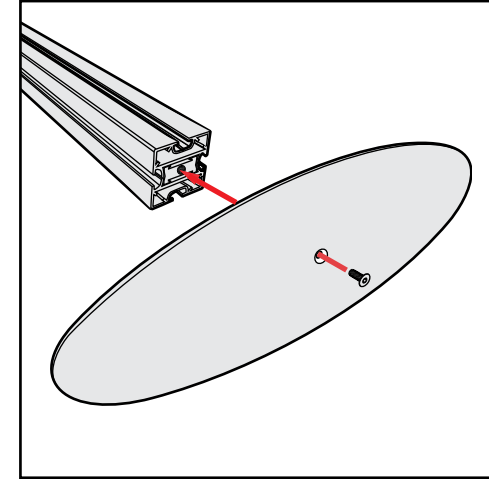
Hex Tool - Essential for Assembly



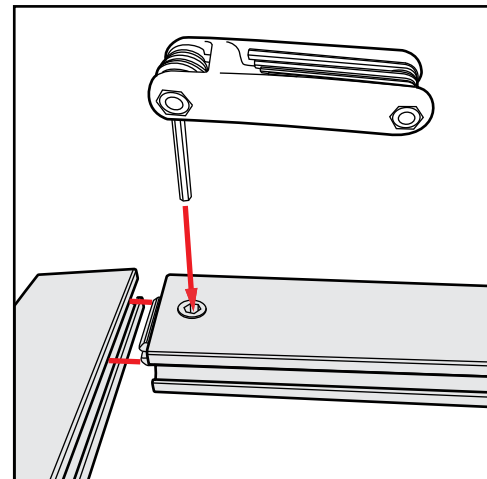
Part Identification - Numbering



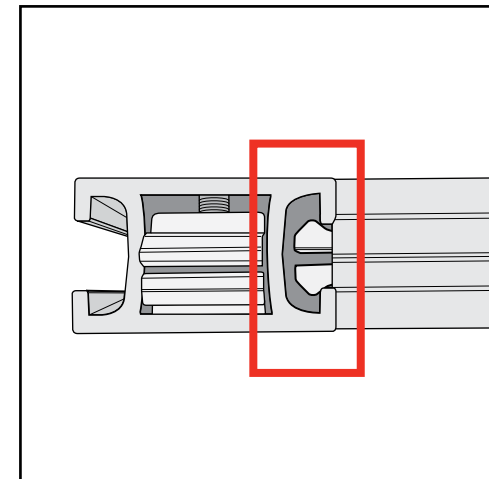
Spline Connection



Base Plate & Extrusion Connection



Extrusion & Lock Connection



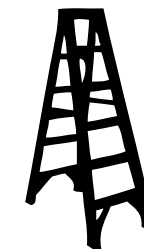
Engaged Lock



WARNING



DO NOT USE POWER TOOLS

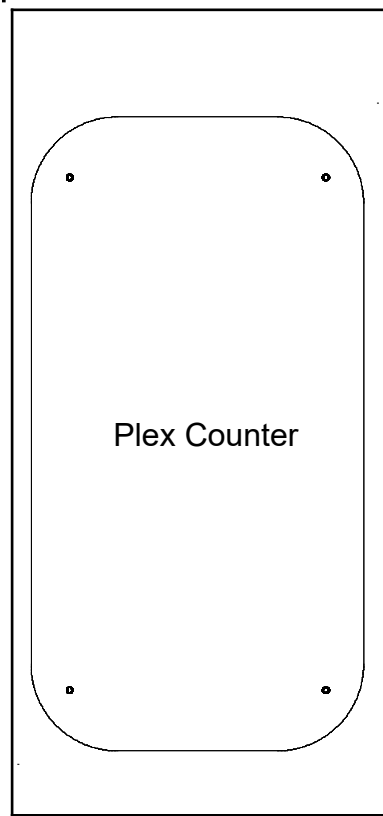


LADDERS OR LIFTS
MAY BE REQUIRED

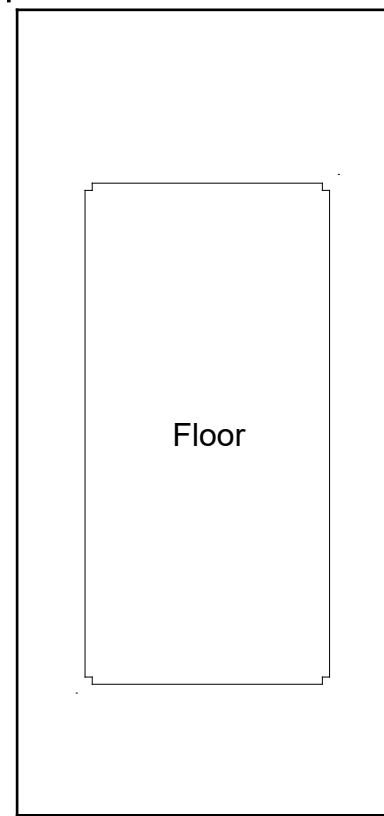


ALL CONNECTIONS MUST
BE TIGHTLY SECURED

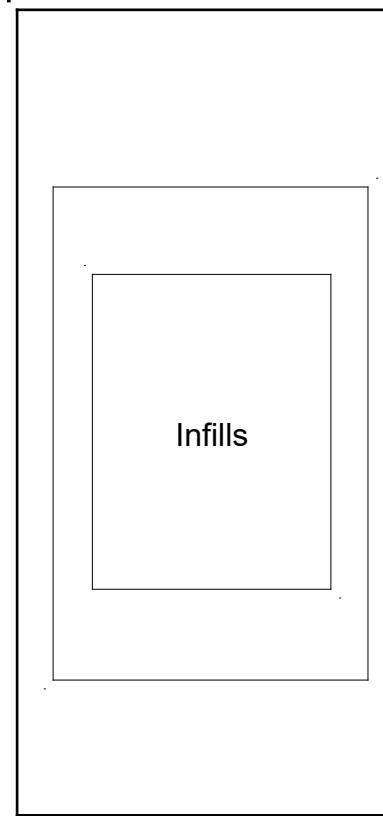
Top View of Each Level



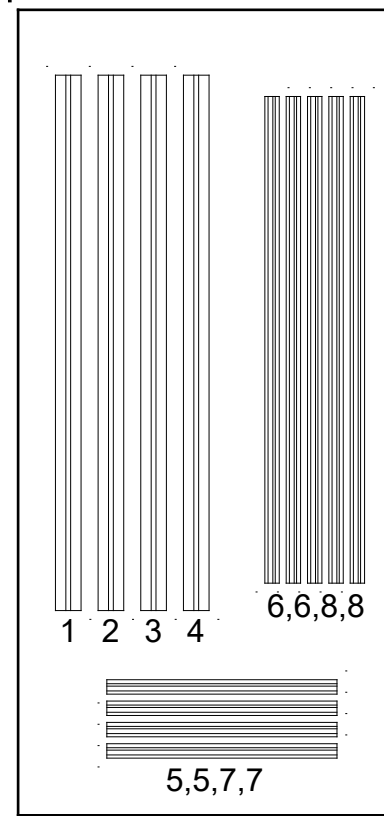
Level 1 (Bottom Level)



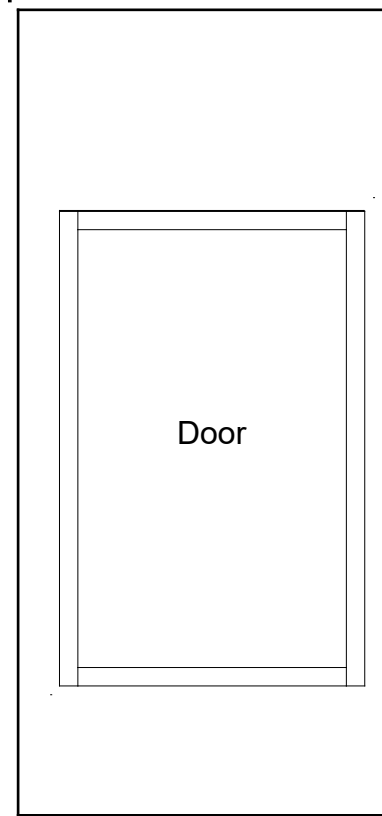
Level 2



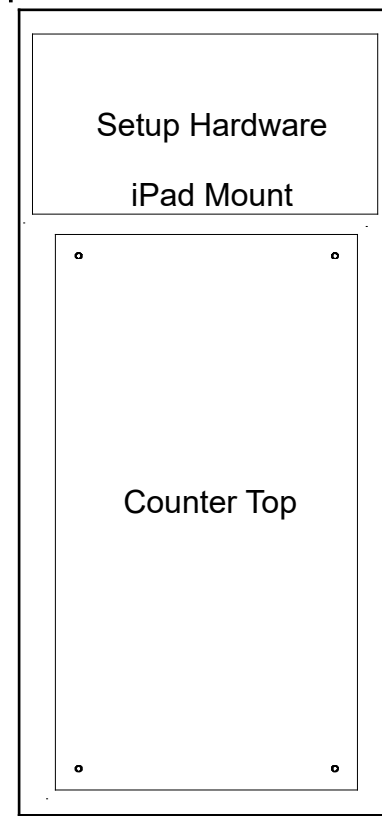
Level 3



Level 4



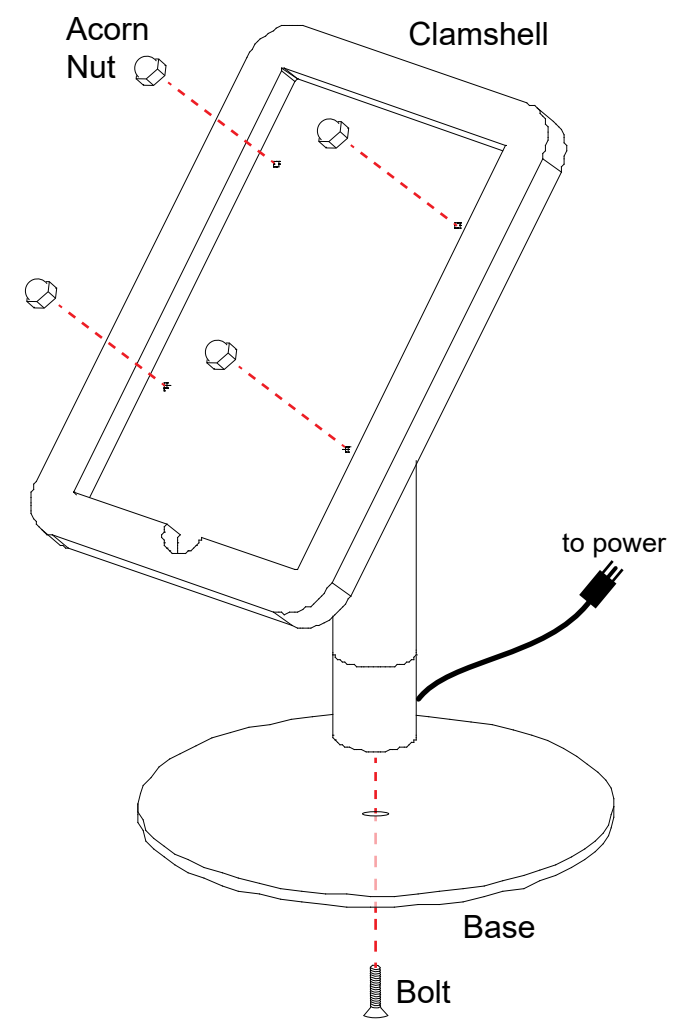
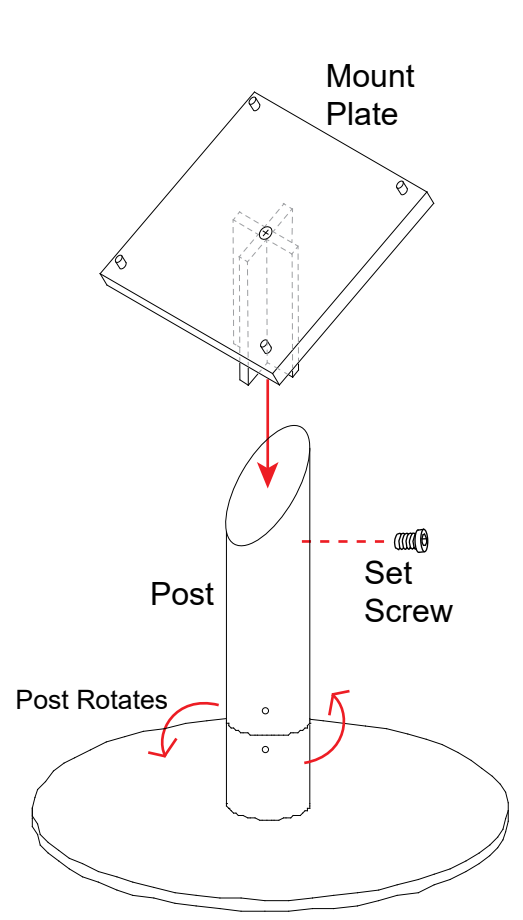
Level 5



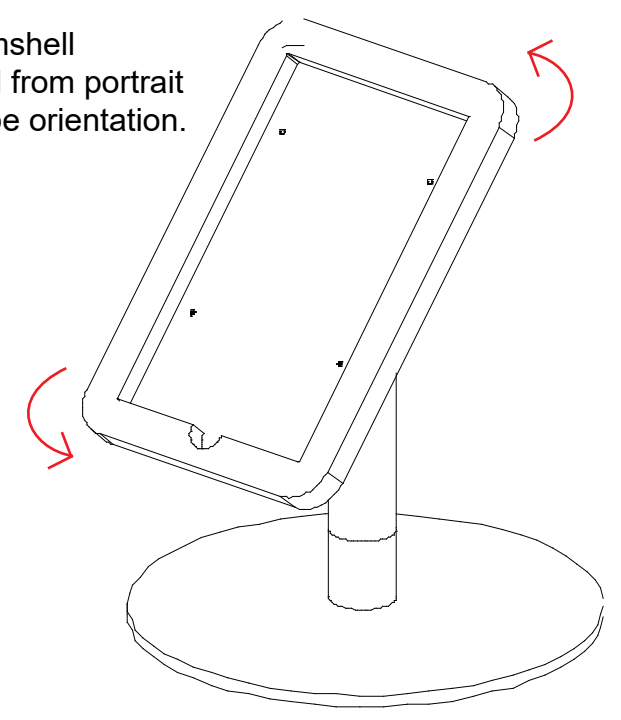
Level 6

Steps:

- 1) Attach mount plate to post, using set screw.
NOTE: Mount Plate must rotate to left and right before installing clamshell.
- 2) Attach base to post assembly, using bolt.
- 3) Attach clamshell to mount plate, using acorn nuts.
- 4) Insert iPad in clamshell, then route cords. See **Cord Management for iPad** detail.



Rotate clamshell to turn iPad from portrait to landscape orientation.



Completed Assembly

Optional Cover for Home Button

Foam Lining Removed

Home Button Shield

- 1) Remove foam lining from inside bottom of clamshell.
- 2) Attach Home Button Shield with double-sided tape to inside of clamshell, keeping top of shield flush with clamshell opening.

NOTE: This is a permanent fix and can't be easily removed.

Cord Management for iPad

Lock

Lock

iPad

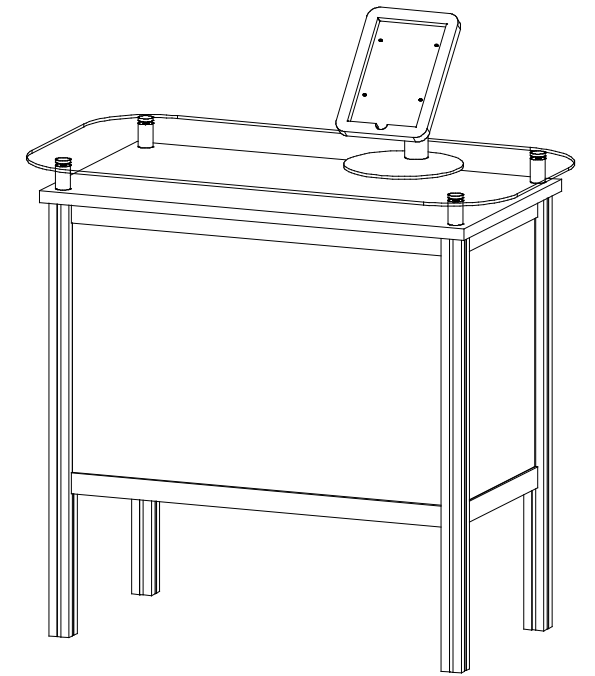
Cord Access

Feed iPad cord through top hole of post, then out bottom hole of post. Connect to power.

Item	Qty.	Description
1	1	37.25" S44 Vertical Extrusion w/ Door Hinges
2	1	37.25" S44 Vertical Extrusion w/ Door Stop
3	1	37.25" S44 Vertical Extrusion
4	1	37.25" S44 Vertical Extrusion
5	2	16" Z46 Horizontal Extrusion
6	2	33.775" Z46 Horizontal Extrusion
7	2	16" Z45 Horizontal Extrusion
8	2	33.775" Z45 Horizontal Extrusion

Steps:

- 1) Attach horizontals [6] between verticals [1] [2] and [3] [4].
- 2) Attach horizontals [5] between verticals [1] [4] and [2] [3].
- 3) Set floor on lips of horizontals [5] and [6].
- 4) Insert **infills** between verticals [1] [4], [2] [3] and [3] [4].
- 5) Attach horizontals [7] between verticals [2] [3] and [1] [4].
- 6) Attach horizontals [8] between verticals [3] and [4].
- 7) Connect assembled door. See **Door Connection** detail.
- 8) Set counter top on top of [7] and [8]. See **Counter Top Attachment** detail.
- 9) Screw threaded end of standoff barrels into the counter top.
- 10) Place plex counter on top of standoffs, then secure with screw caps. See **Plex Counter Attachment** detail.
- 11) Place iPad Mount on top of plex counter.



Completed Assembly

