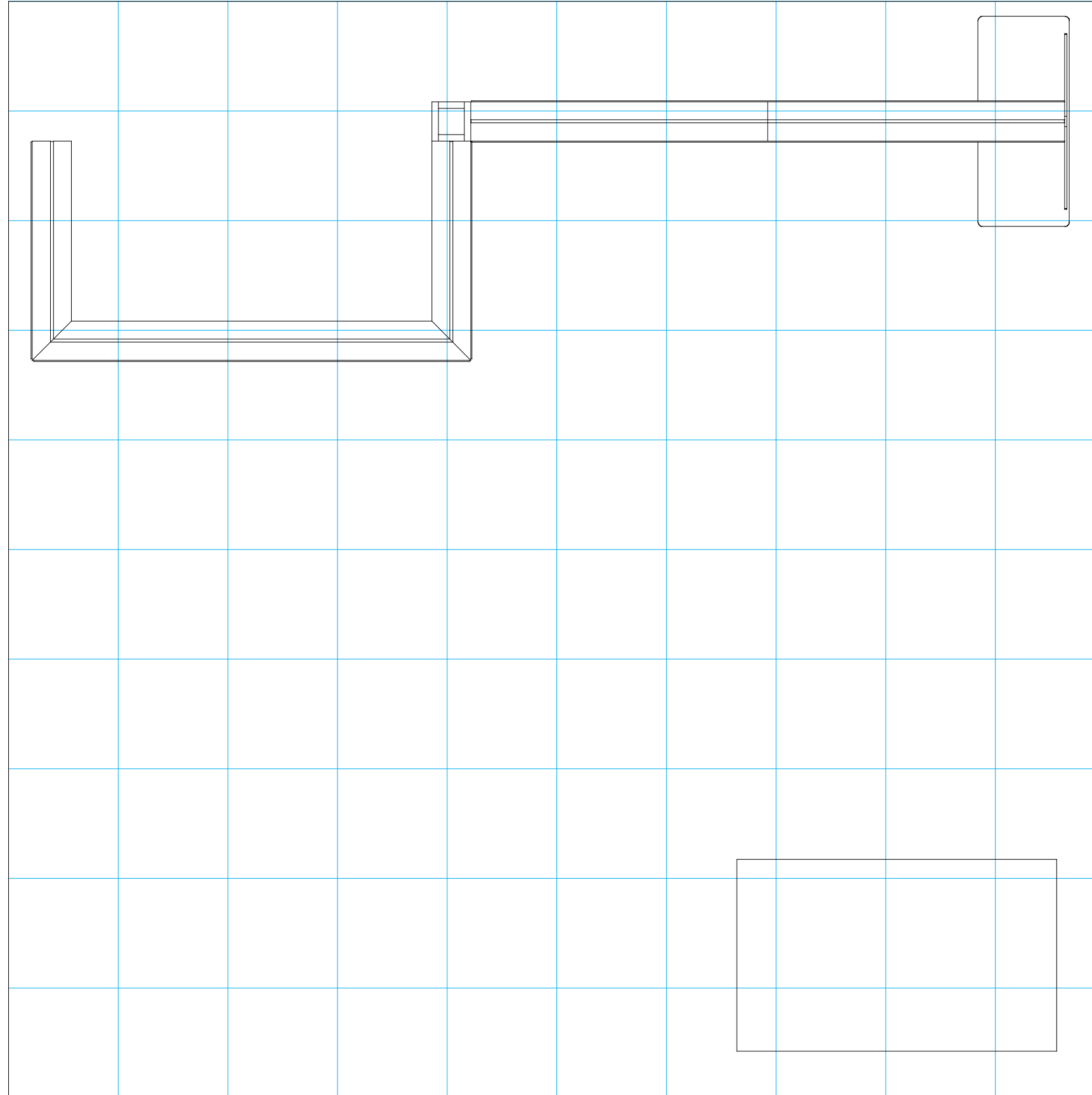


SETUP INSTRUCTIONS



= 1 sq foot

General Setup Instructions

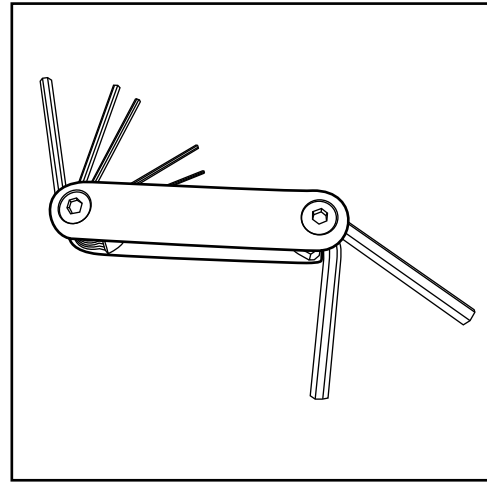
- Read entire setup instruction manual prior to unpacking parts and pieces.
- The setup instructions are created specifically for this configuration.
- Setup instructions are laid out sequentially in steps, including exploded views with detailed explanation for assembly.

Cleaning & Packing

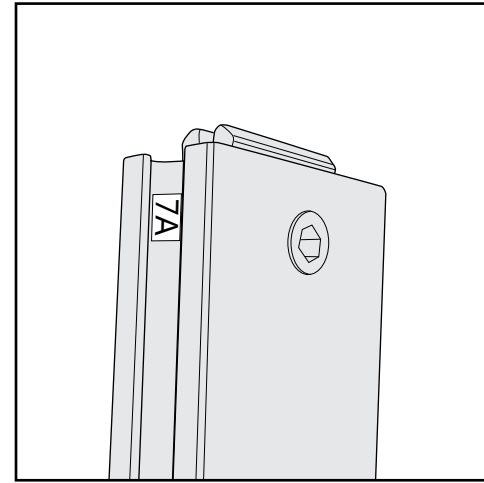
- For Cleaning Metal, Plex, & Laminate Parts: Use a **MILD NON-ABRASIVE** cleanser and soft cloth/paper towel to clean all surfaces.
- Keep exhibit components away from heat and prolonged sun exposure. **Heat and UV exposure will warp and fade components.**
- Retain all provided Packing Materials. All provided packing materials are for ease of repacking & component protection.

Disassembly

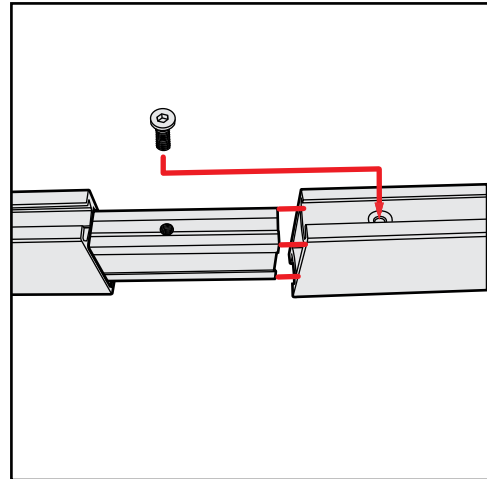
- For loss prevention, tighten all set screws and locks during disassembly.



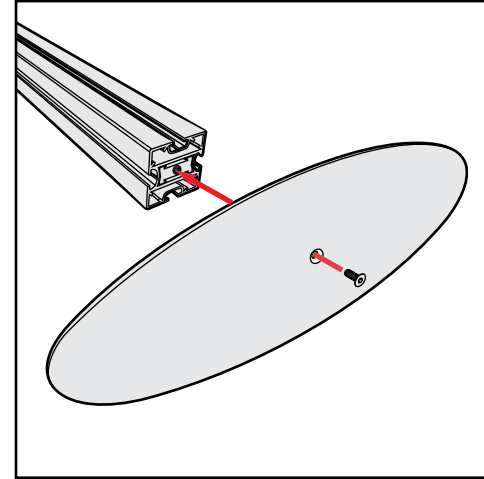
Hex Tool - Essential for Assembly



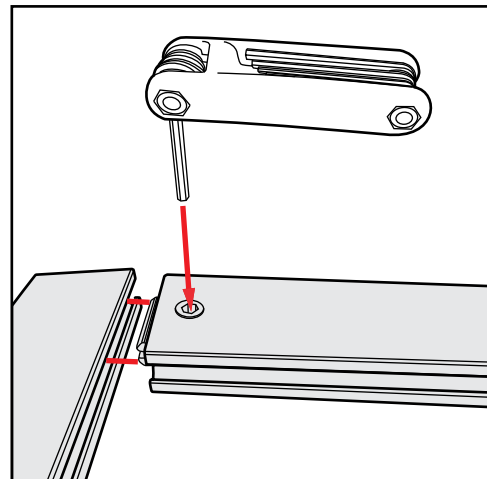
Part Identification - Numbering



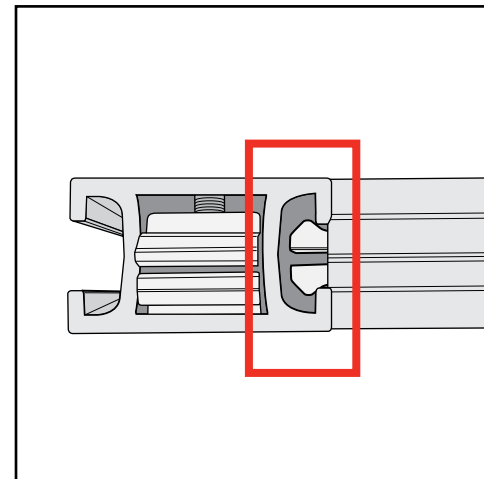
Spline Connection



Base Plate & Extrusion Connection



Extrusion & Lock Connection



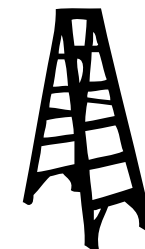
Engaged Lock



WARNING



DO NOT USE POWER TOOLS



LADDERS OR LIFTS MAY BE REQUIRED

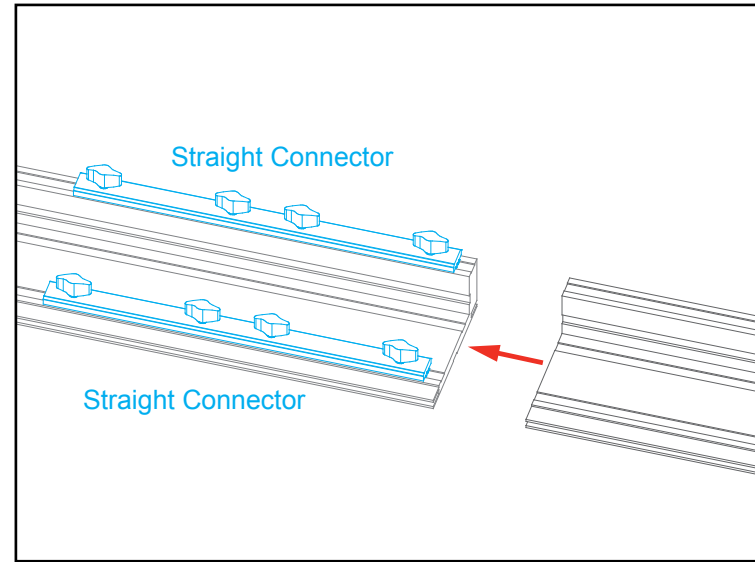


ALL CONNECTIONS MUST BE TIGHTLY SECURED

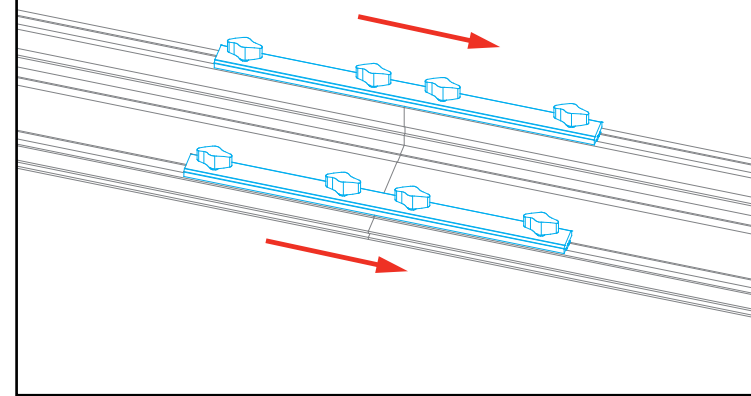
Straight Connection

When assembling frame, first attach all **straight connectors**, then attach **corner connectors**.

- 1) Place extrusions end-to-end.
- 2) Loosen all knobs, then slide **straight connectors** across the seam of extrusions.
- 3) Tighten all knobs to secure connection.



Slide both connectors across seam of extrusions. Tighten all knobs.



All knobs must be tightened securely to ensure a proper connection.

Disassembly

- 1) Loosen all knobs.
- 2) Slide connectors off of one extrusion.
- 3) Tighten knobs to prevent loss during packing & shipping.

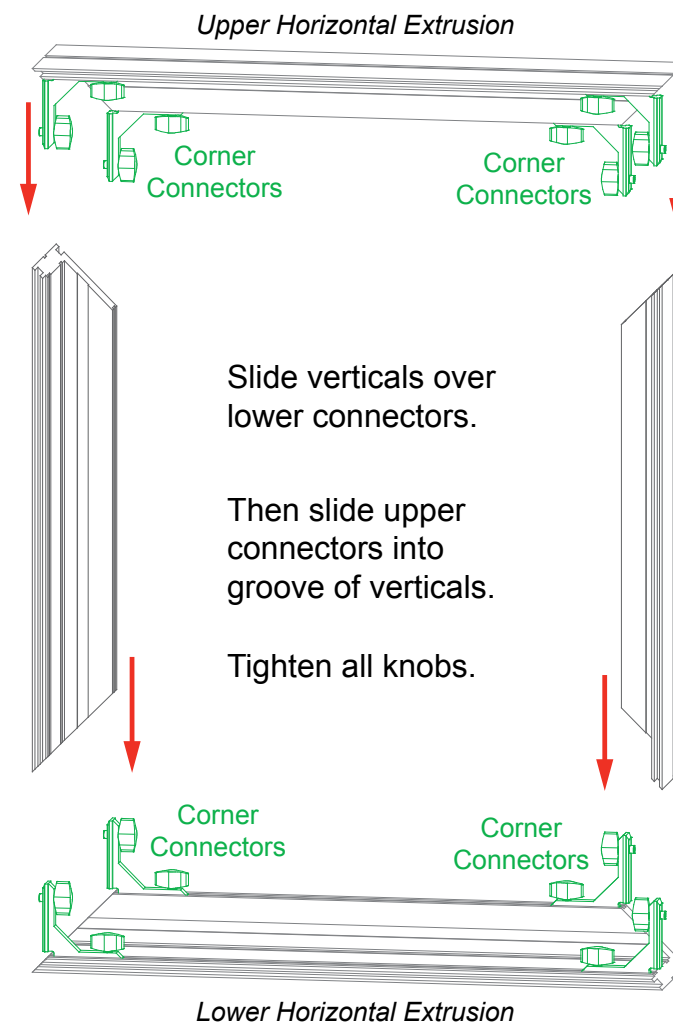
Keep straight connectors in groove of extrusion. Do not remove connectors during disassembly.

Corner Connection

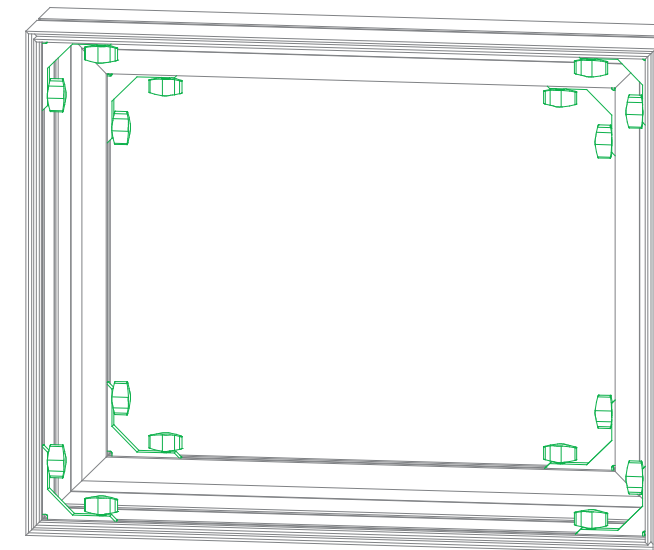
- 1) Loosen knobs, then slide vertical extrusions onto **corner connectors** of **lower** horizontal extrusion.
- 2) Slide **corner connectors** of **upper** horizontal extrusion into grooves of vertical extrusions.
- 3) Tighten all knobs to secure connection.

Disassembly

- 1) Loosen knobs on vertical extrusions.
- 2) Slide the vertical extrusions off of **corner connectors** on lower and upper horizontal extrusions.

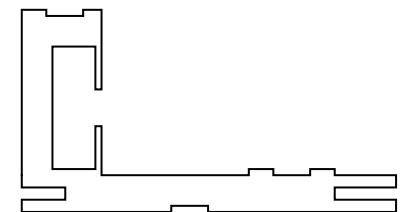


Adjust connectors if necessary to prevent gaps in connection.



COMPLETED ASSEMBLY

All knobs must be tightened securely to ensure a proper connection.

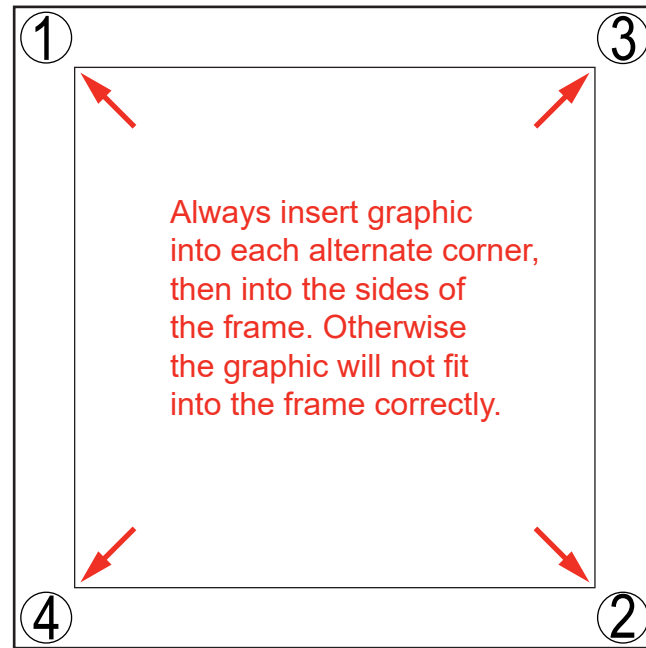


CEI110 Profile

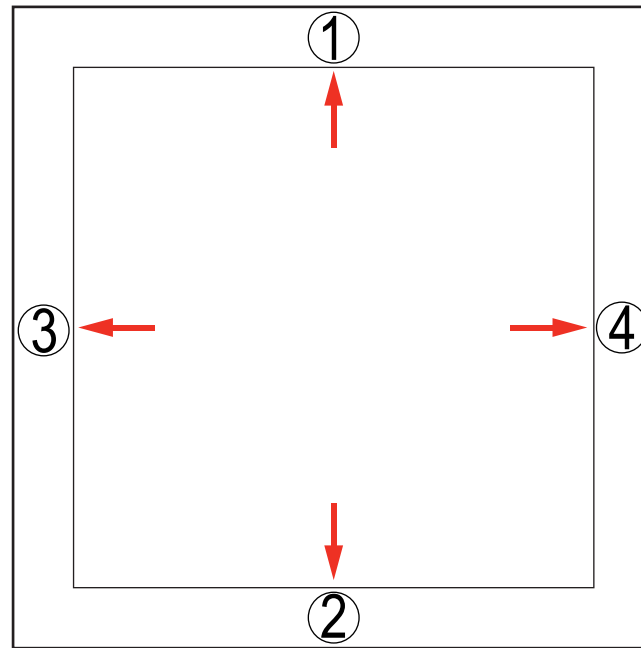
SEG Graphic Installation *in 3 Steps*

The Perfect Fit

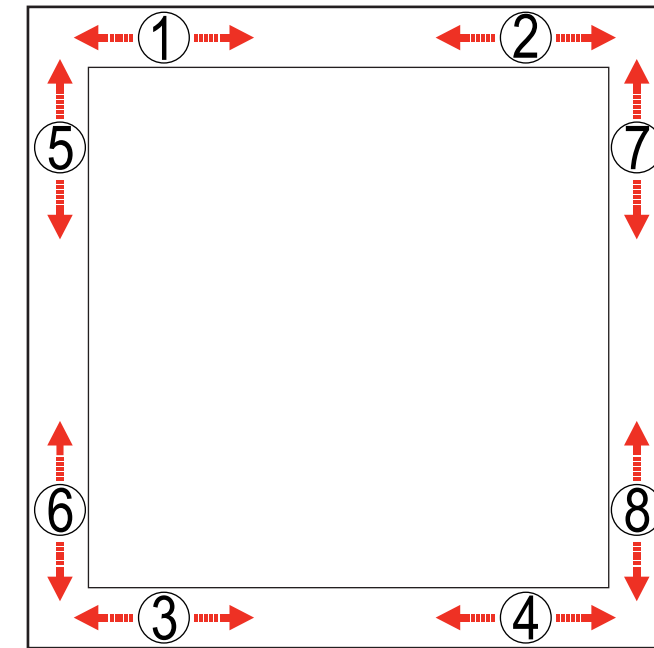
STEP 1: Attach Corners



STEP 2: Attach Middle



STEP 3: Attach Sides



Insert narrow side of silicone welt into the channel at corner 1, with fabric to the outside.

Repeat for opposite corner 2, then corner 3, then corner 4.

Once corners are attached, press the middle of edge 1 into the channel. Then press middle of edge 2 into the channel on opposite side.

Repeat with edge 3 & 4.

Once the middle of sides are attached, fully press the silicone welt into the channel, between center and corner at location 1. Repeat the process between center and corner at location 2.

Do the same for welt on opposite side, at locations 3 & 4. Then repeat for locations 5 & 6 and 7 & 8.

Once the welt is fully inserted on all sides, smooth out edges as needed for a perfect fit.



To remove the graphic from the frame, locate the fabric **pull tab**. Gently pull on the tab to remove the graphic.

Install video:

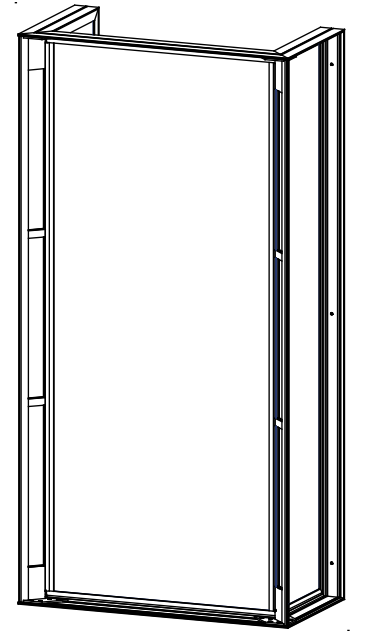


CRATE PACKING

Item	Qty.	Description
1	2	95.252"h TSP2 Vertical Extrusion
2	2	92.353"h GS310 Vertical Extrusion
3	2	2.964"w Z140 Horizontal Extrusion
4	2	2.964"w Z45 Horizontal Extrusion
5	2	2.964"w Z45 Horizontal Extrusion
6	2	2.964"w Z140 Horizontal Extrusion
7	2	Custom Bracket
8	2	Custom Bracket
1	1	96"h CEI110 Vertical Extrusion
2	1	96"h CEI110 Vertical Extrusion
3	1	24"w CEI110 Horizontal Extrusion
4	1	24"w CEI110 Horizontal Extrusion
5	1	24"w CEI110 Horizontal Extrusion
6	1	24"w CEI110 Horizontal Extrusion
7	1	48"w CEI110 Horizontal Extrusion
8	1	48"w CEI110 Horizontal Extrusion
--	2	17.868"w x 92.353"h Light Panel
--	1	38.882"w x 92.353"h Light Panel

Steps:

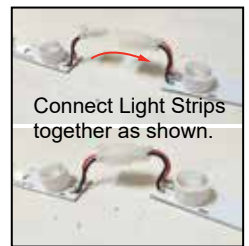
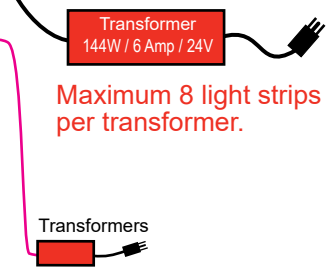
- 1) Assemble Corner brackets & extrusions [1] through [8] as shown in **Corner Assembly** detail.
- 2) Connect vertical [1] to horizontals [3,4] using corner connectors. Repeat step, attaching vertical [2] to horizontals [5,6]. Refer to the **CEI110 Frame Assembly general information page**.
- 3) Insert side **Light Panels** between horizontals [3,4] & [5,6].
- 4) Attach lower horizontals [3,7] & [5,7] to lower brackets of Corner Assemblies. See **Bracket Connection** detail.
- 5) Insert front **Light Panel** between horizontals [7,8].
- 6) Connect upper horizontals [4,8] & [6,8] to upper brackets of Corner Assemblies. See **Bracket Connection** detail.



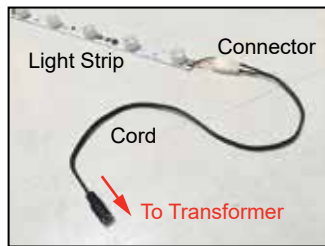
When assembled

Light Panel Connection

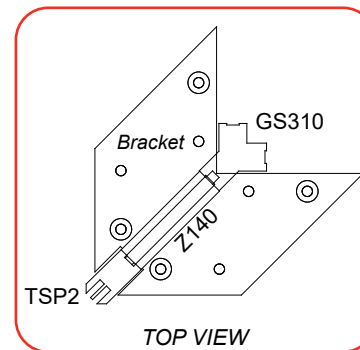
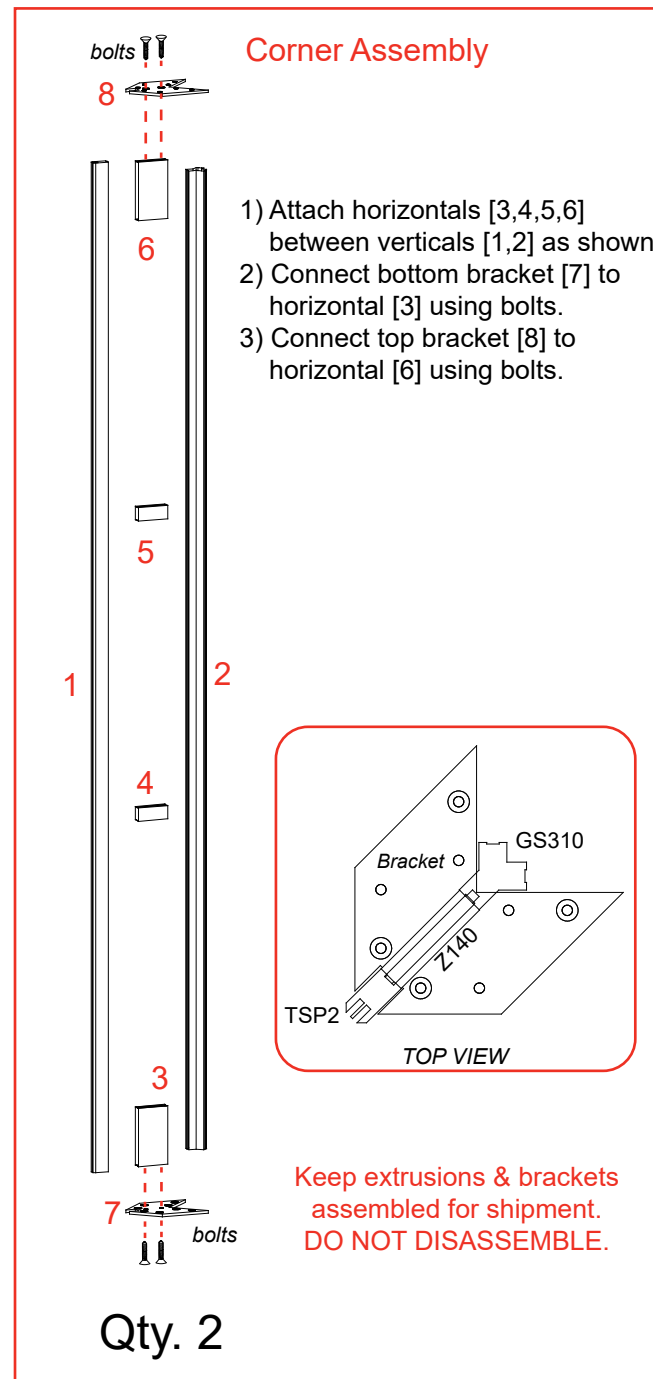
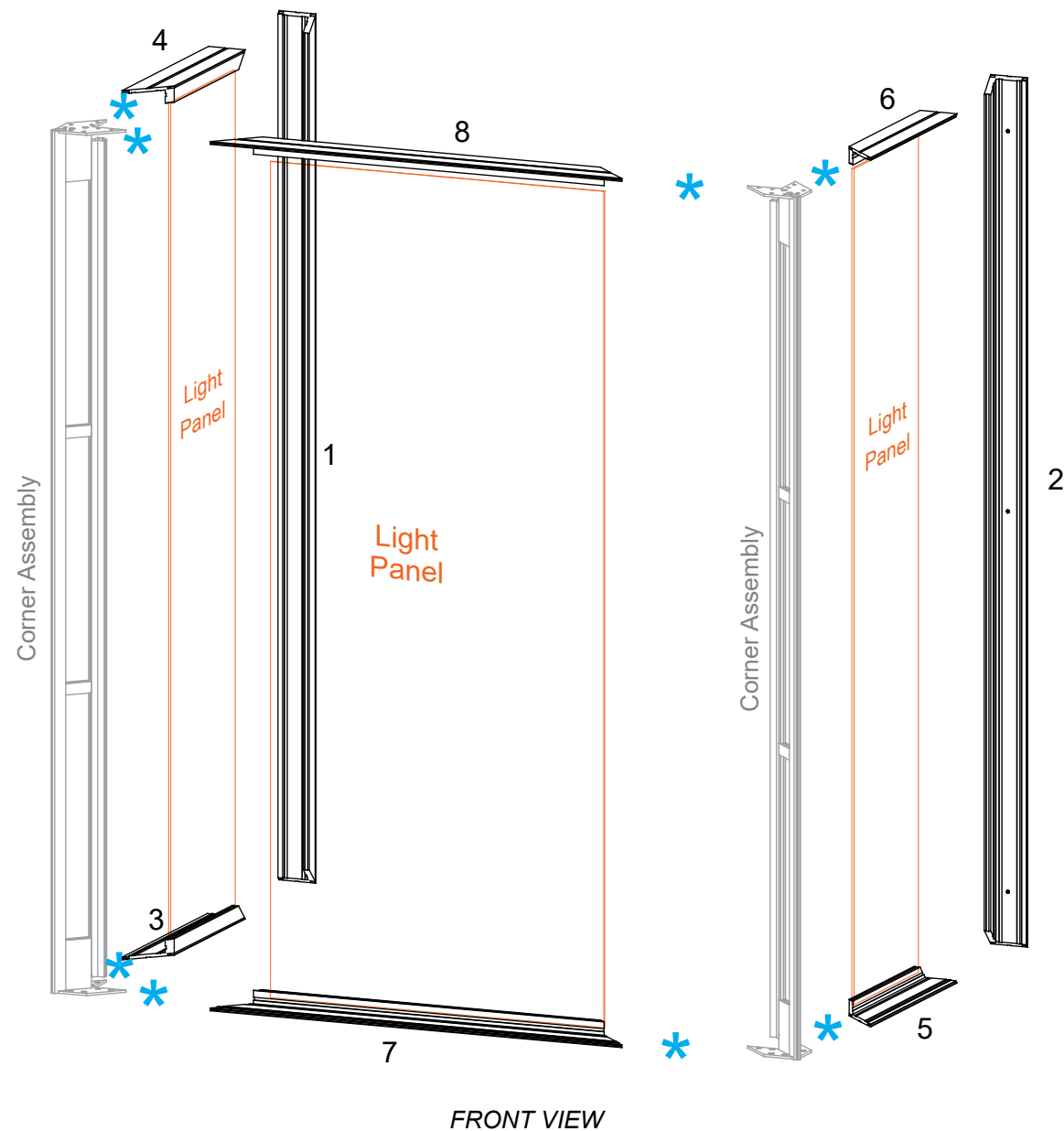
- 1) Connect light strips together & attach transformers.
- 2) Run power cords out hole in back of light panel to power source.



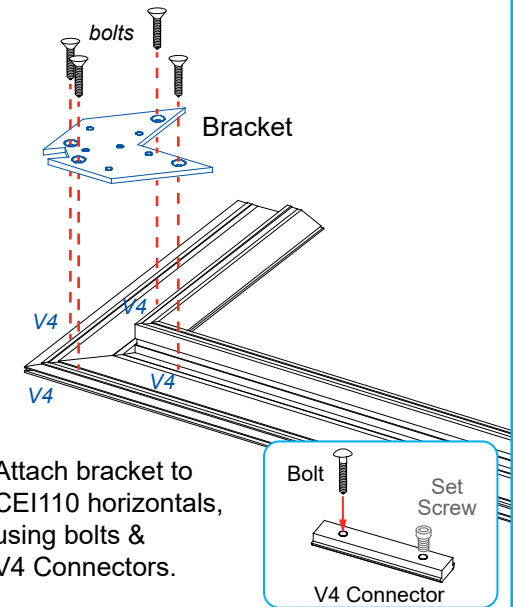
Light to Light Attachment



Light to Transformer Attachment



* Bracket Connection

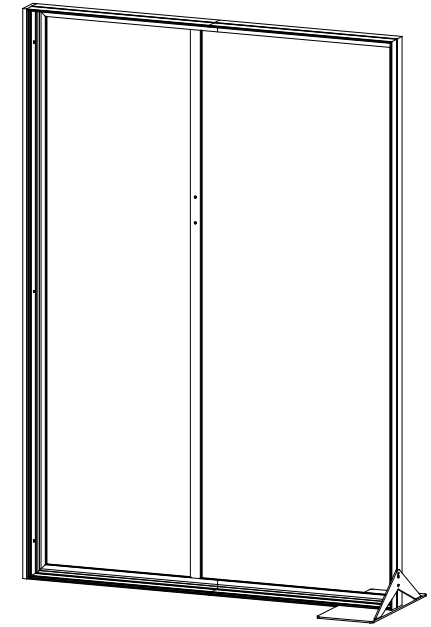


Item	Qty.	Description
9	1	96" h CEI110 Vertical Extrusion
10	1	96" h CEI110 Vertical Extrusion
11	1	32.5" w CEI110 Horizontal Extrusion
12	1	32.5" w CEI110 Horizontal Extrusion
13	1	32.5" w CEI110 Horizontal Extrusion
14	1	32.5" w CEI110 Horizontal Extrusion
15	1	92.353" h Z45 Vertical Extrusion
17	1	Corner Base Plate

Steps:

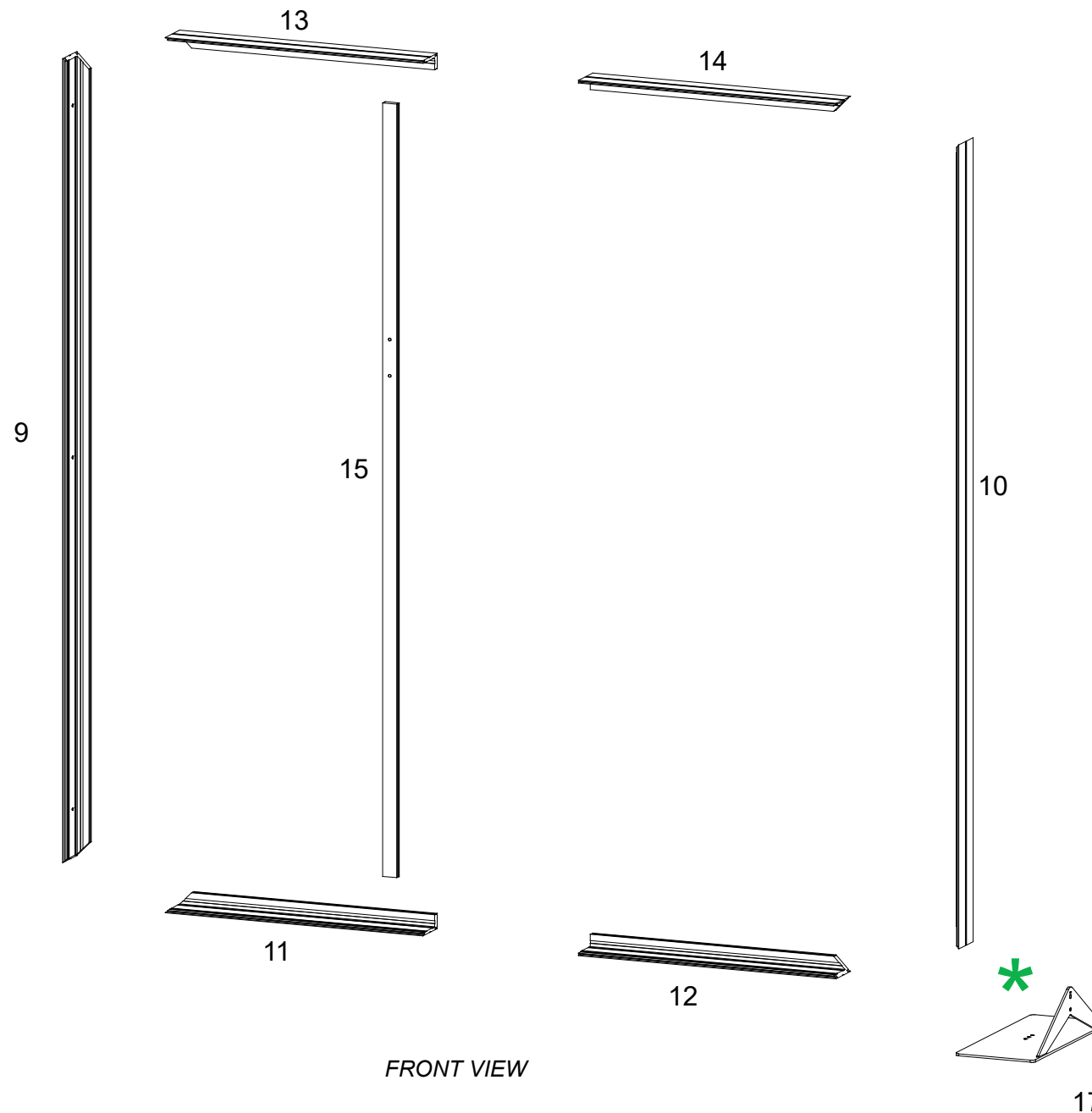
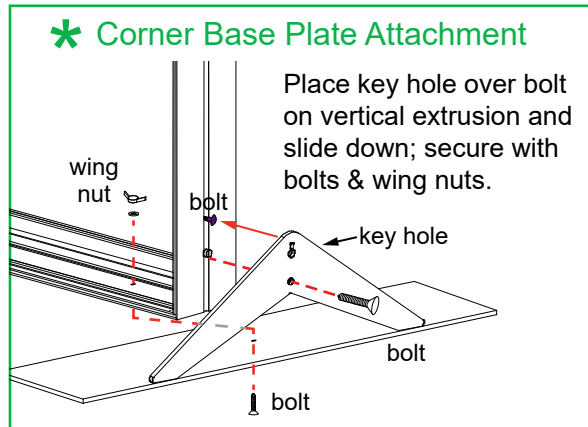
Refer to the *CEI110 Frame Assembly general information page*.

- 1) Assemble horizontals [11-12] & [13-14] together using straight connectors.
- 2) Attach verticals [9,10] between horizontal assemblies using corner connectors.
- 3) Connect vertical [15] between horizontal assemblies.
- 4) Attach Base Plate [17] to bottom-right corner of assembled frame. See [Corner Base Plate Attachment](#) detail.

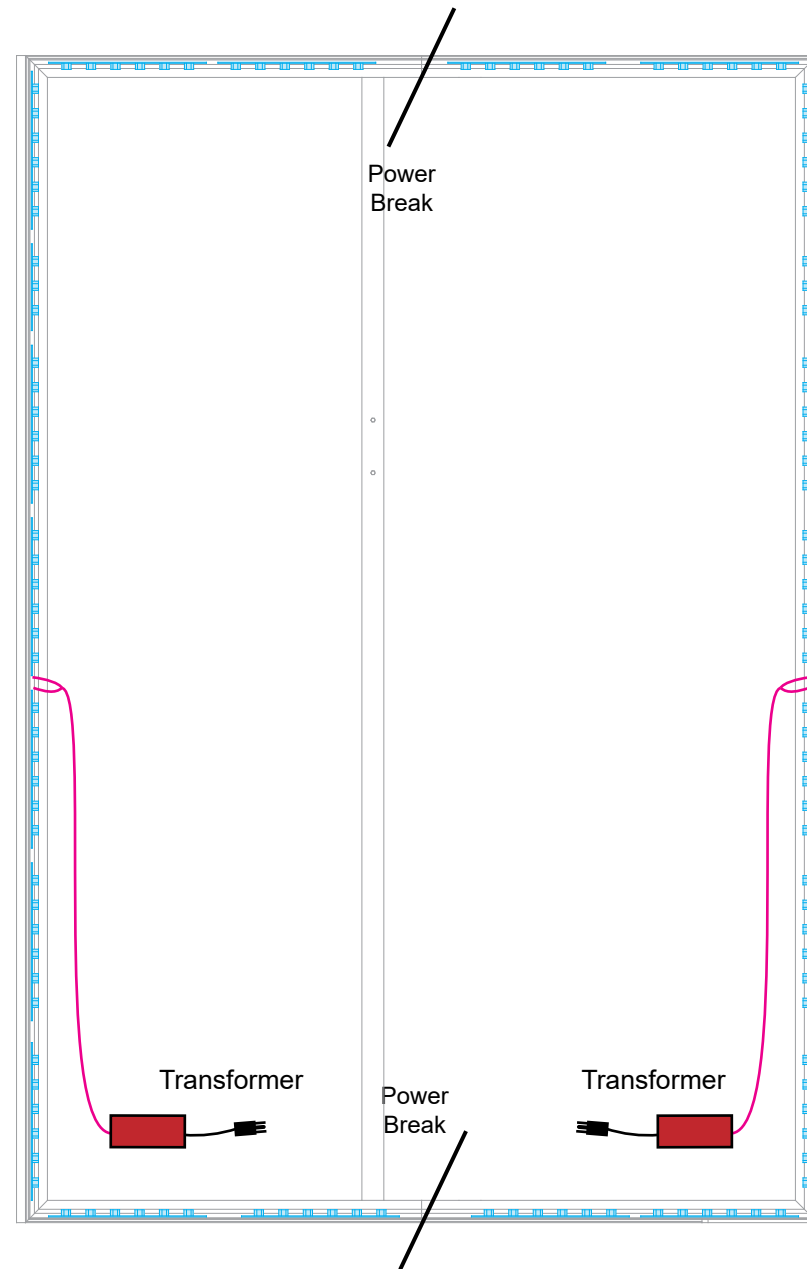


When assembled

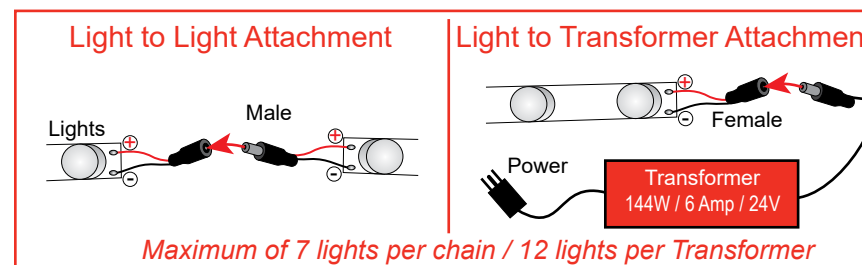
Assemble frame flat on ground.



- Steps:
1) Connect power cords to Supernova lights as shown.

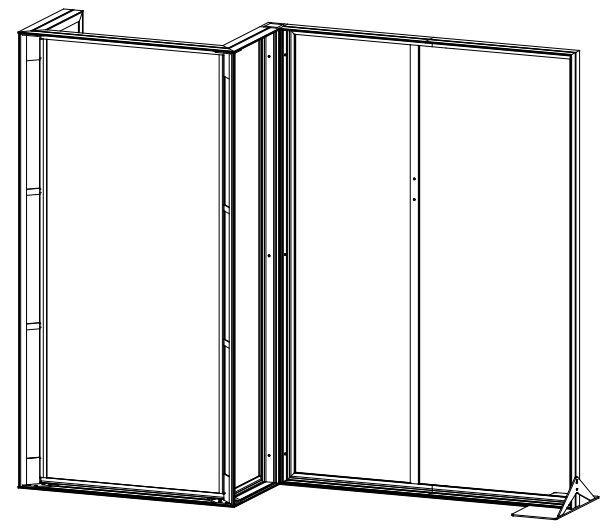


FRONT ELEVATION VIEW

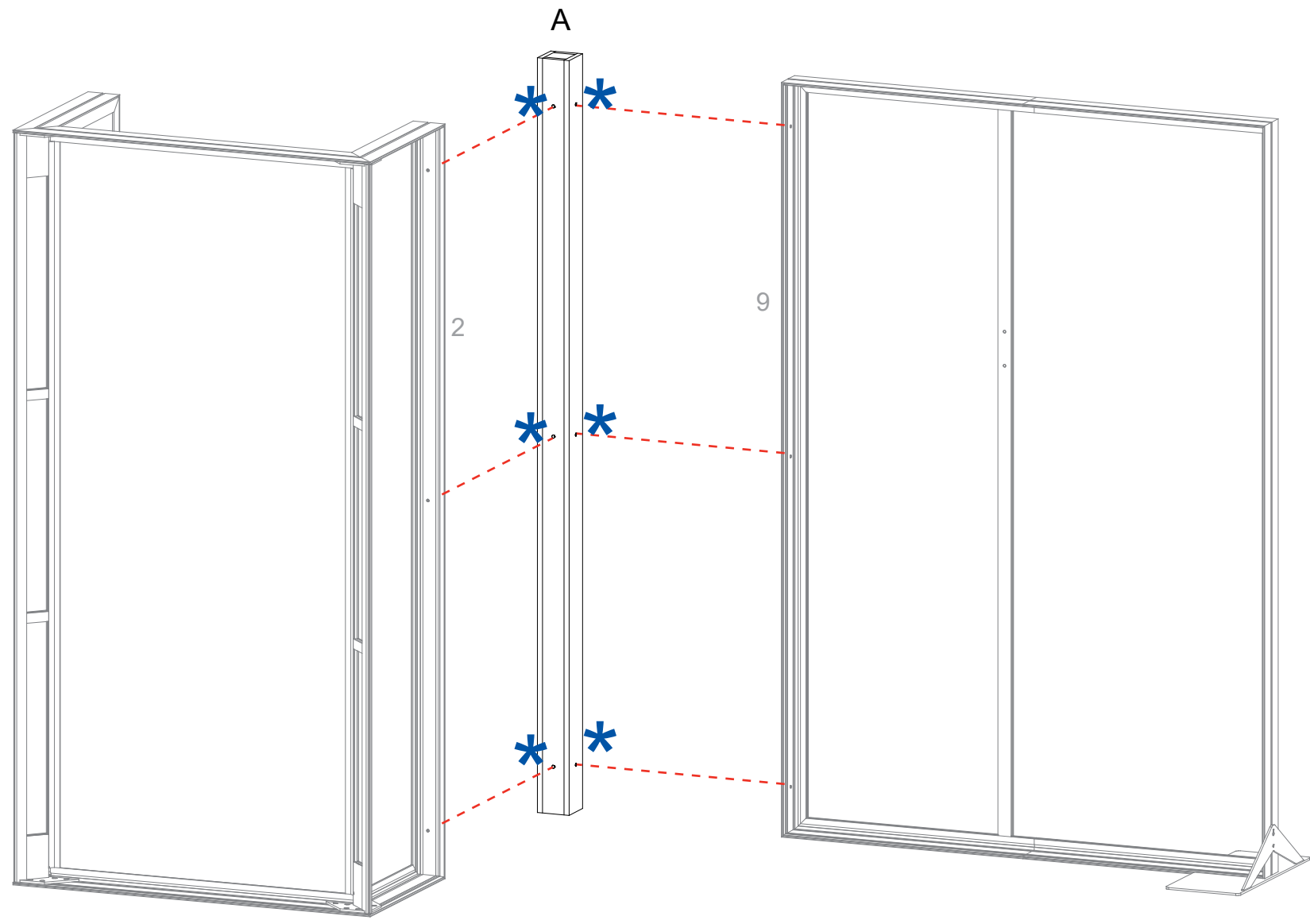
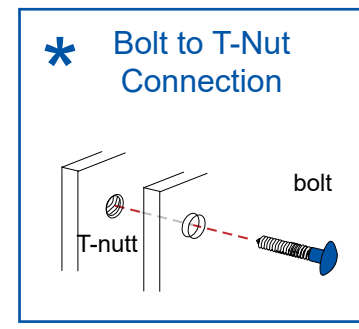


Item	Qty.	Description
A	1	4.5" x 4.5" x 96"h Corner Post

Steps:
1) Connect bump-out assembly vertical [2] & lightbox vertical [9] to Post [A], using Bolt to T-Nut Connection as shown.



When assembled

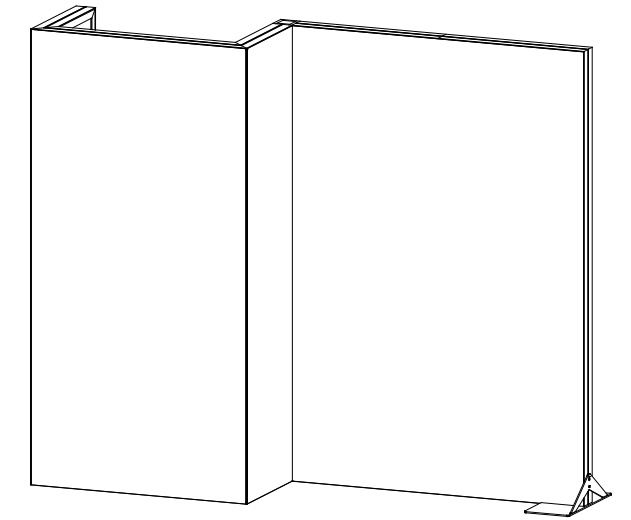
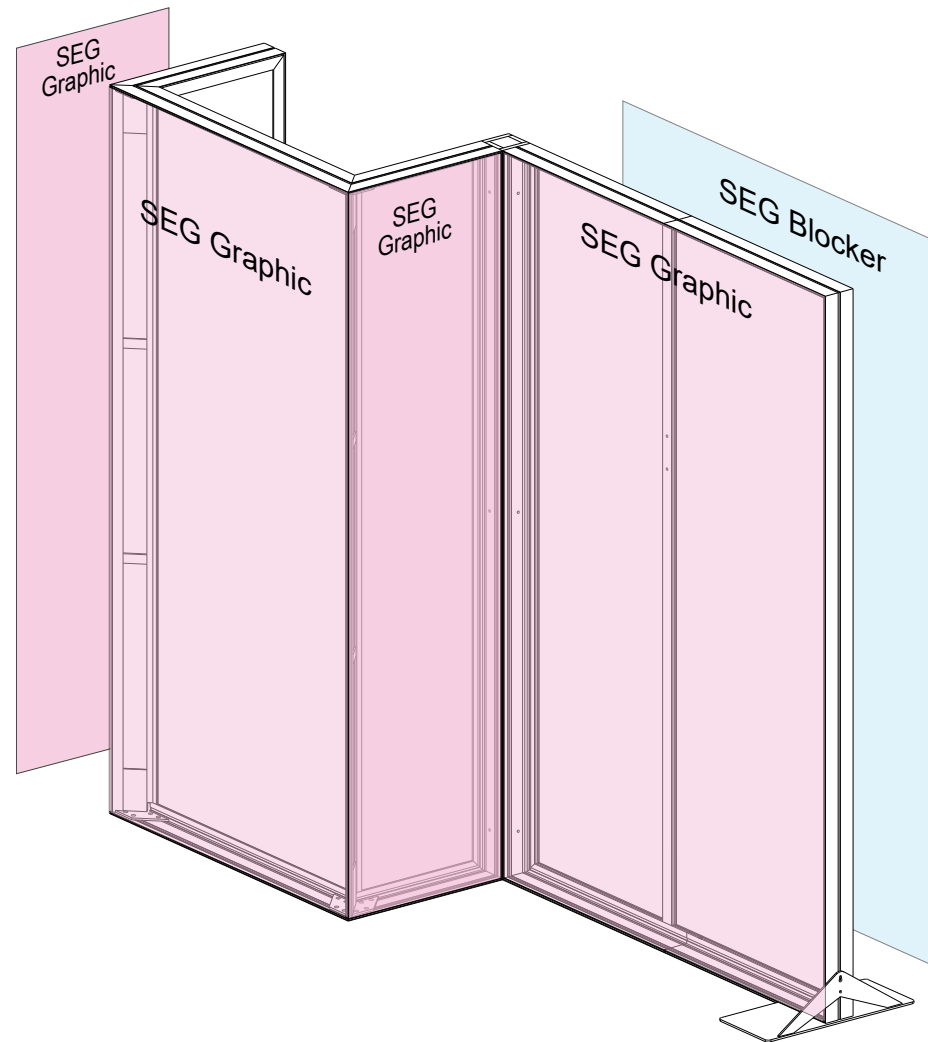


FRONT VIEW

Steps:

Refer to the SEG Installation general information page.

- 1) Apply SEG graphics to bump out assembly & lightbox frame as shown.
- 2) Apply SEG blocker to back of lightbox frame.

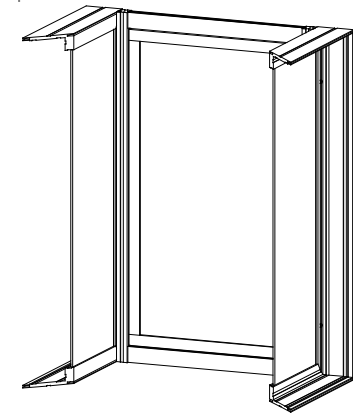


Completed Assembly

Item	Qty.	Description
1	1	39.5”h CEI110 Vertical Extrusion
2	1	39.5”h S40 Vertical Extrusion
3	1	39.5”h S40 Vertical Extrusion
4	1	39.5”h CEI110 Vertical Extrusion
5	1	20.906”w Z45 Horizontal Extrusion
6	1	20.906”w Z45 Horizontal Extrusion
7	1	18”w CEI110 Horizontal Extrusion
8	1	18”w CEI110 Horizontal Extrusion
9	1	18”w CEI110 Horizontal Extrusion
10	1	18”w CEI110 Horizontal Extrusion

Steps:

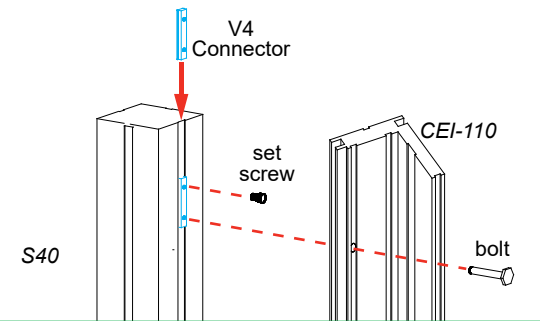
- 1) Attach vertical [1] to vertical [2]. See **CEI110 to S40 Connection** detail.
Repeat step, attaching vertical [4] to vertical [3].
- 2) Connect horizontals [5,6] between verticals [2,3].
- 3) Attach Door to back of assembly, between verticals [2,3].
See **Door Attachment** detail.
- 4) Connect horizontals [7,8] to vertical [1], inserting **infill**.
Repeat step, connecting horizontals [9,10] to vertical [4], inserting **infill**.



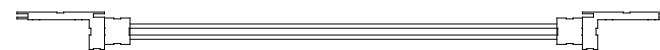
When assembled

*** CEI110 to S40 Connection**

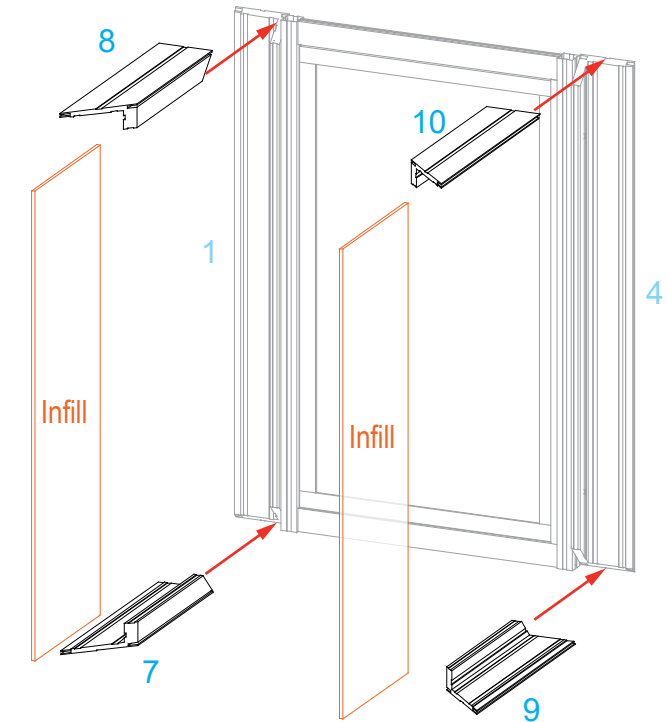
Slide V4 connector into groove of S40 extrusion as shown; secure with set screw.
Attach CEI-110 extrusion to S40 by securing bolt to hole of V4 connector.



FRONT VIEW



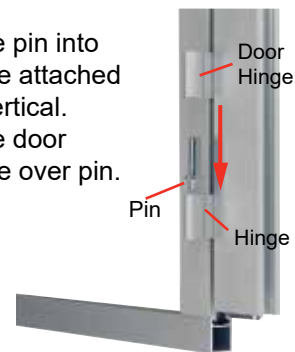
TOP VIEW



FRONT VIEW

*** Door Attachment**

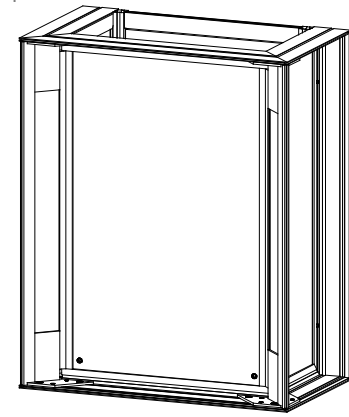
Slide pin into hinge attached to vertical.
Slide door hinge over pin.



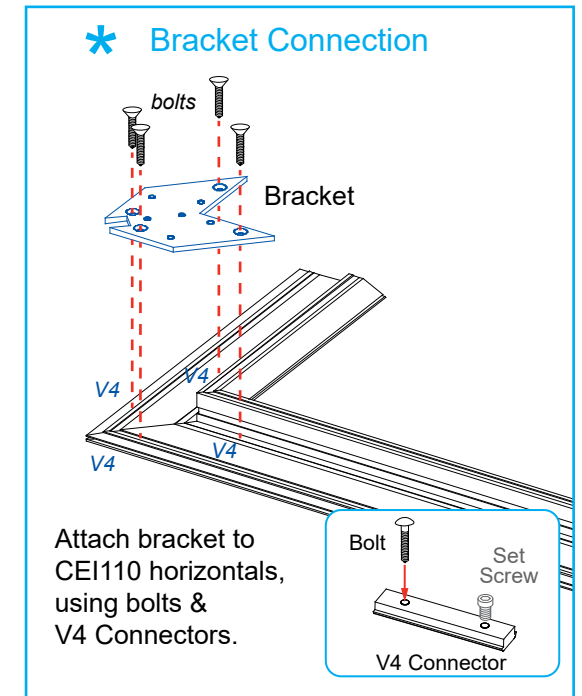
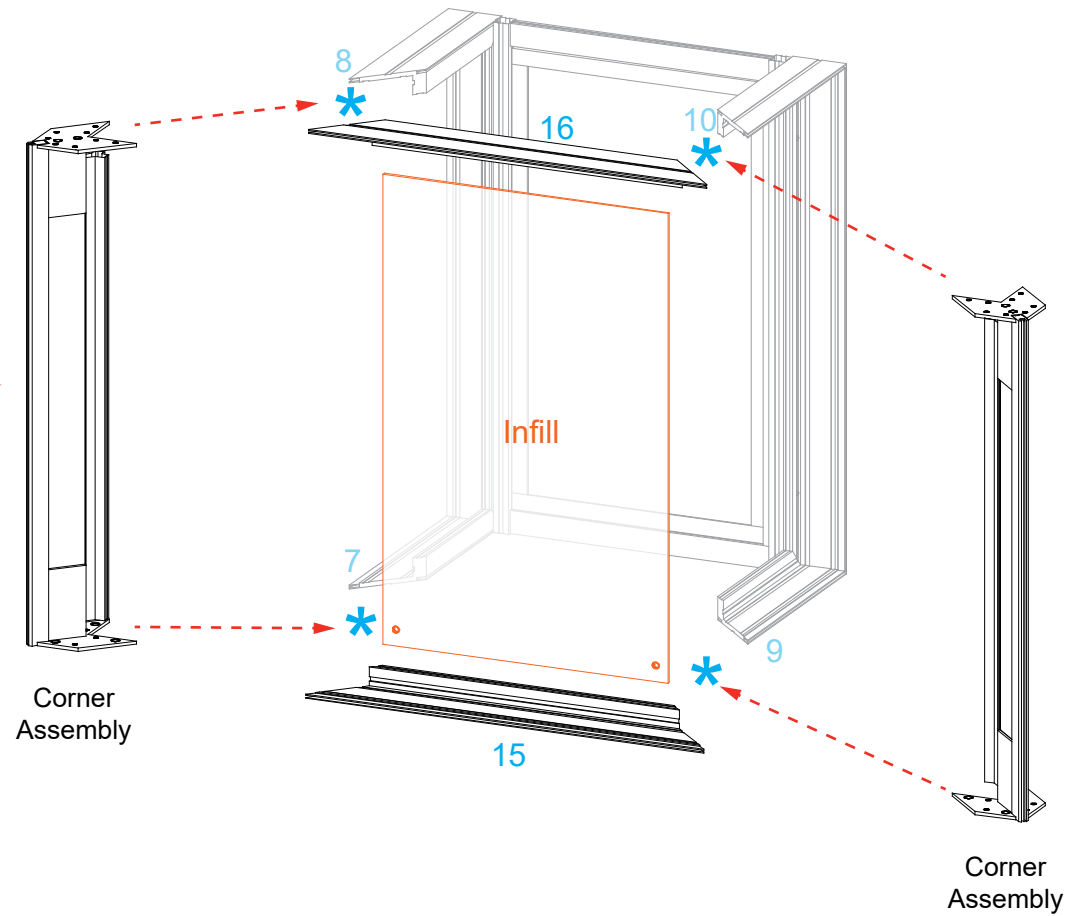
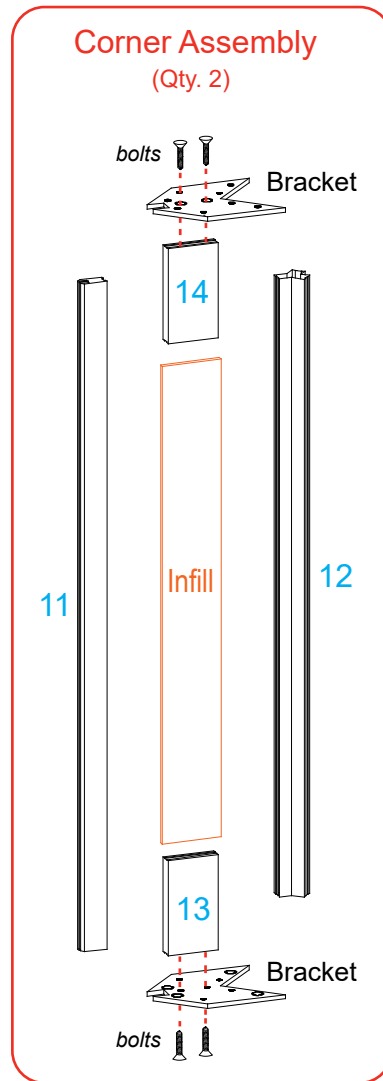
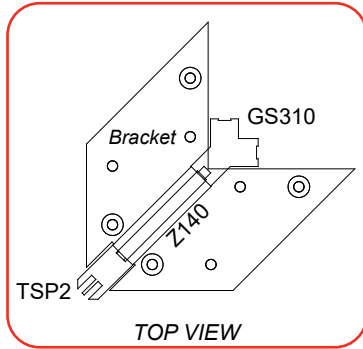
Item	Qty.	Description
11	2	38.752" h TSP2 Vertical Extrusion
12	2	35.853" h GS310 Vertical Extrusion
13	2	2.955" w Z140 Horizontal Extrusion
14	2	2.955" w Z140 Horizontal Extrusion
15	1	32" w CEI110 Horizontal Extrusion
16	1	32" w CEI110 Horizontal Extrusion
--	2	Bracket

Steps:

- 1) Assemble horizontals [13,14] between verticals [11,12] inserting **infill**;
Attach Brackets to top & bottom of horizontals [13,14] using bolts.
Refer to **Corner Assembly** detail.
- 2) Attach corner assembly to horizontals [7,15] & [8,16], inserting **infill**.
- 3) Attach corner assembly to horizontals [9,15] & [10,16].

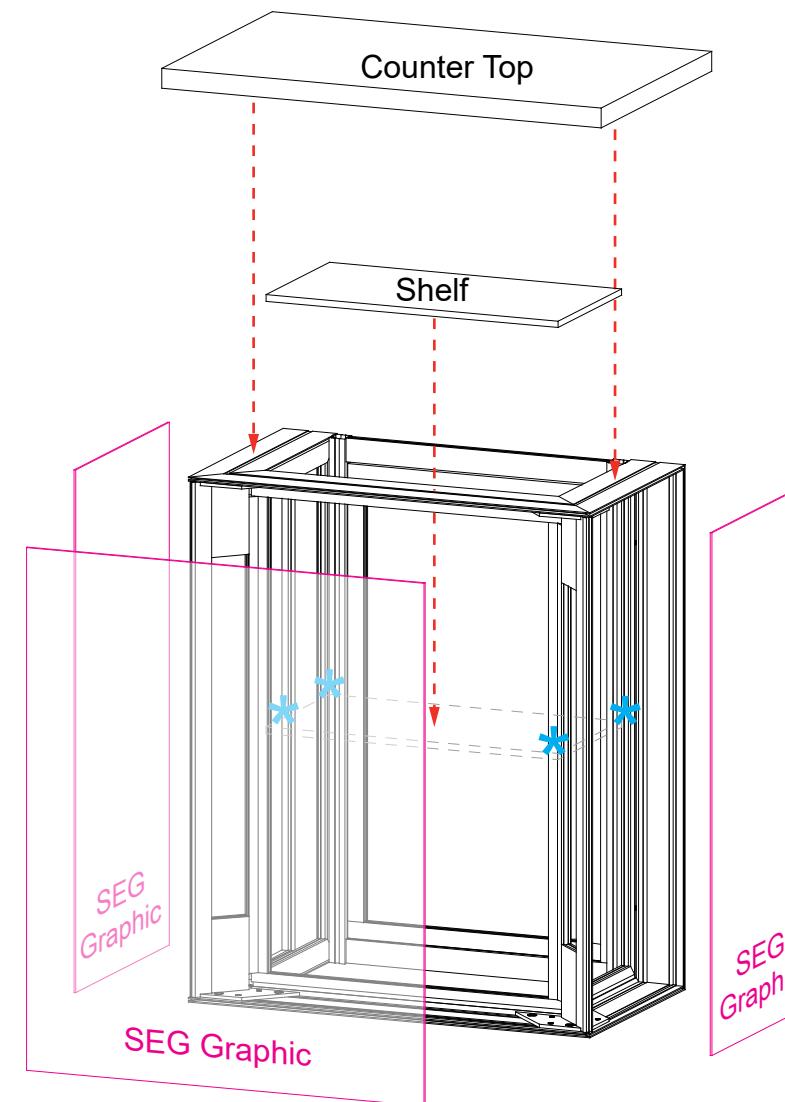
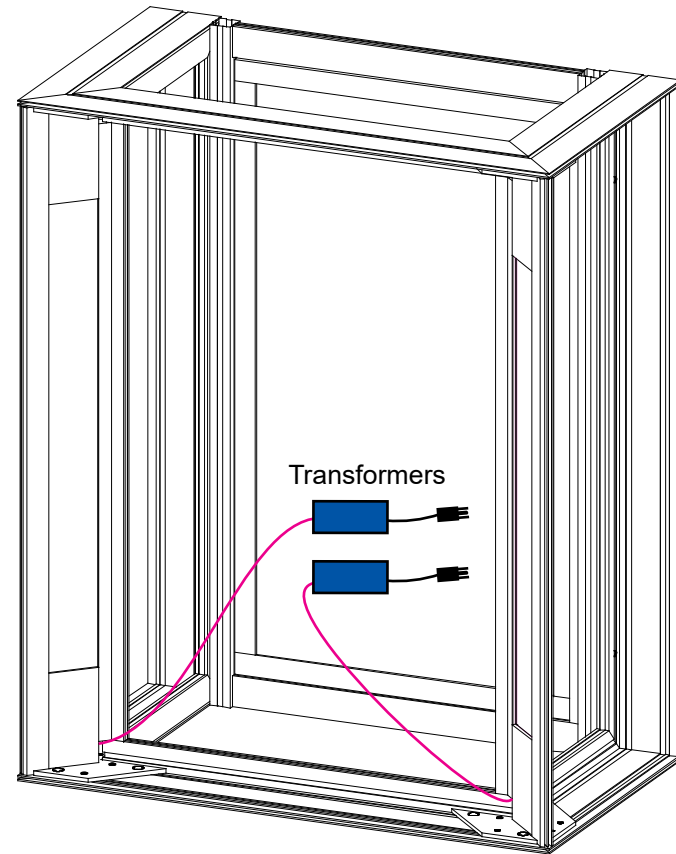


When assembled

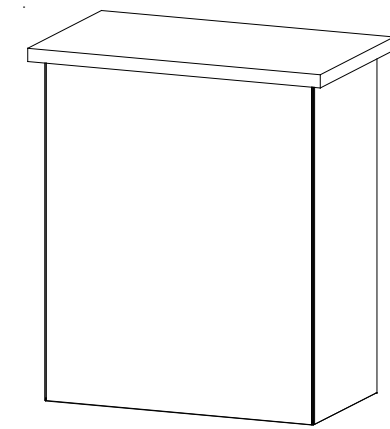


Steps:

- 1) Attach power cords to Supernova lights.
- 2) Apply SEG graphics to assembled base. Refer to the SEG Installation general information page.
- 3) Place Shelf onto pins. See Shelf Pin detail.
- 4) Attach Counter Top to assembled base. See Counter Top Attachment detail.



FRONT VIEW



Completed Assembly

